

FN-SCAR Air Cocking

1. Piston, Cylinder



2. Barrel



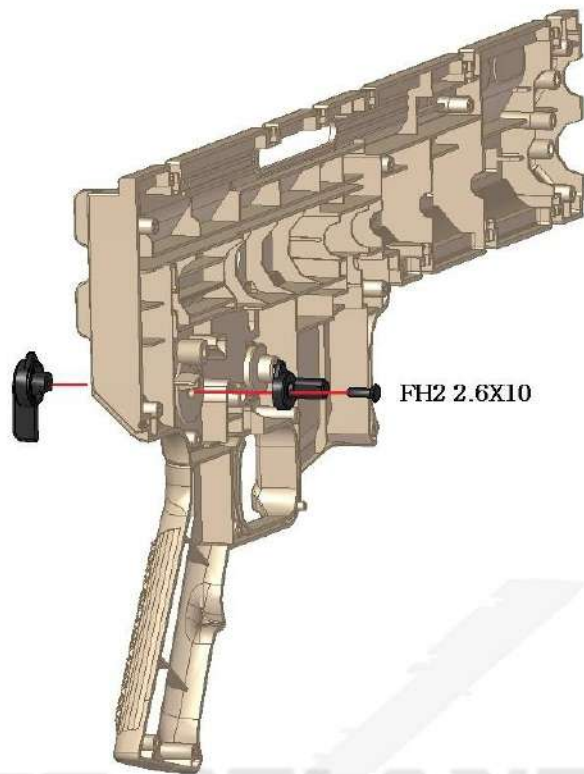
3. Front sight housing



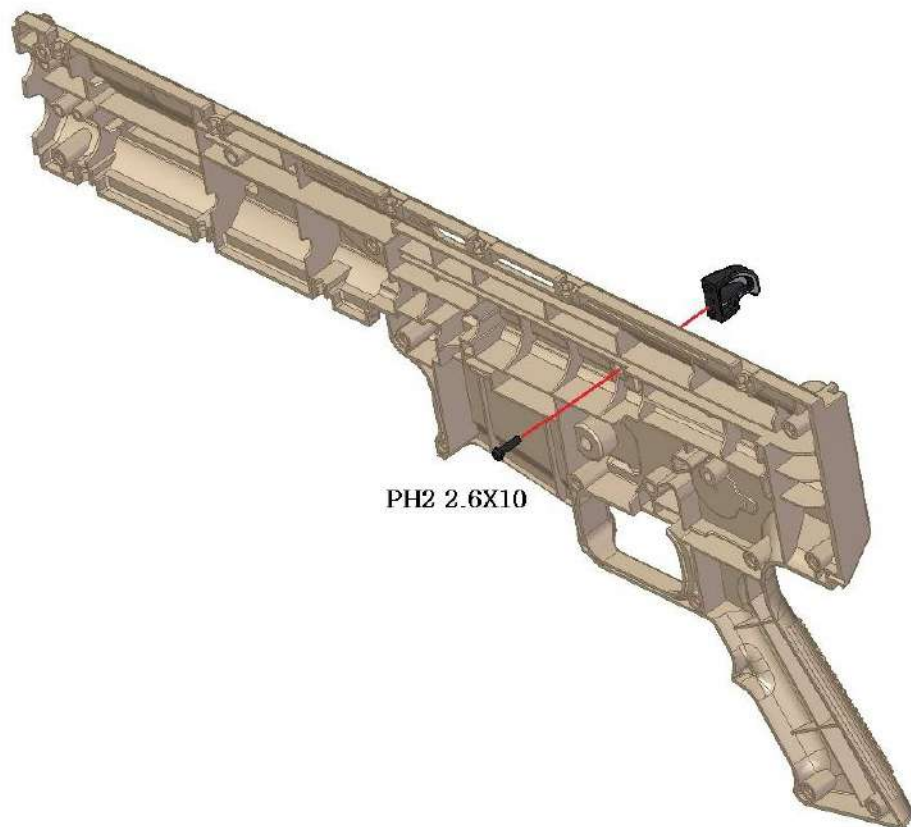
4. Backsight



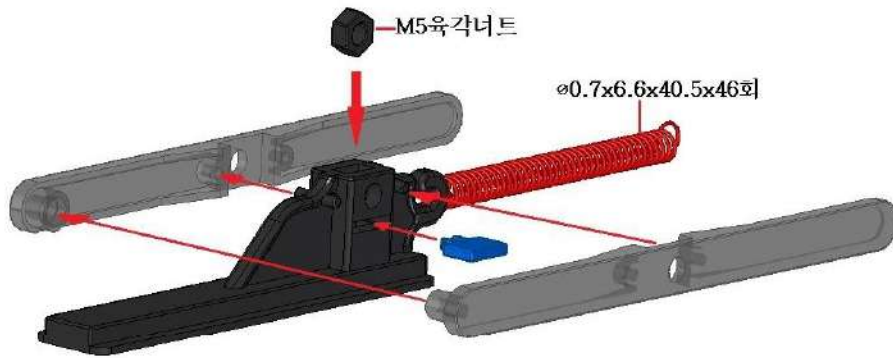
5. Safety lock



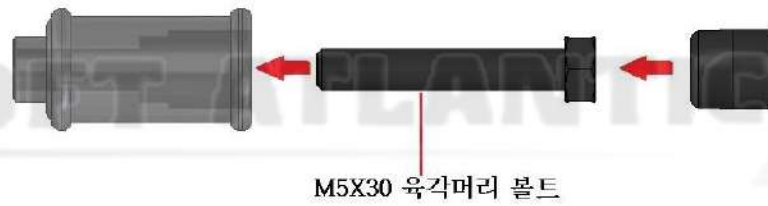
6. Body slings



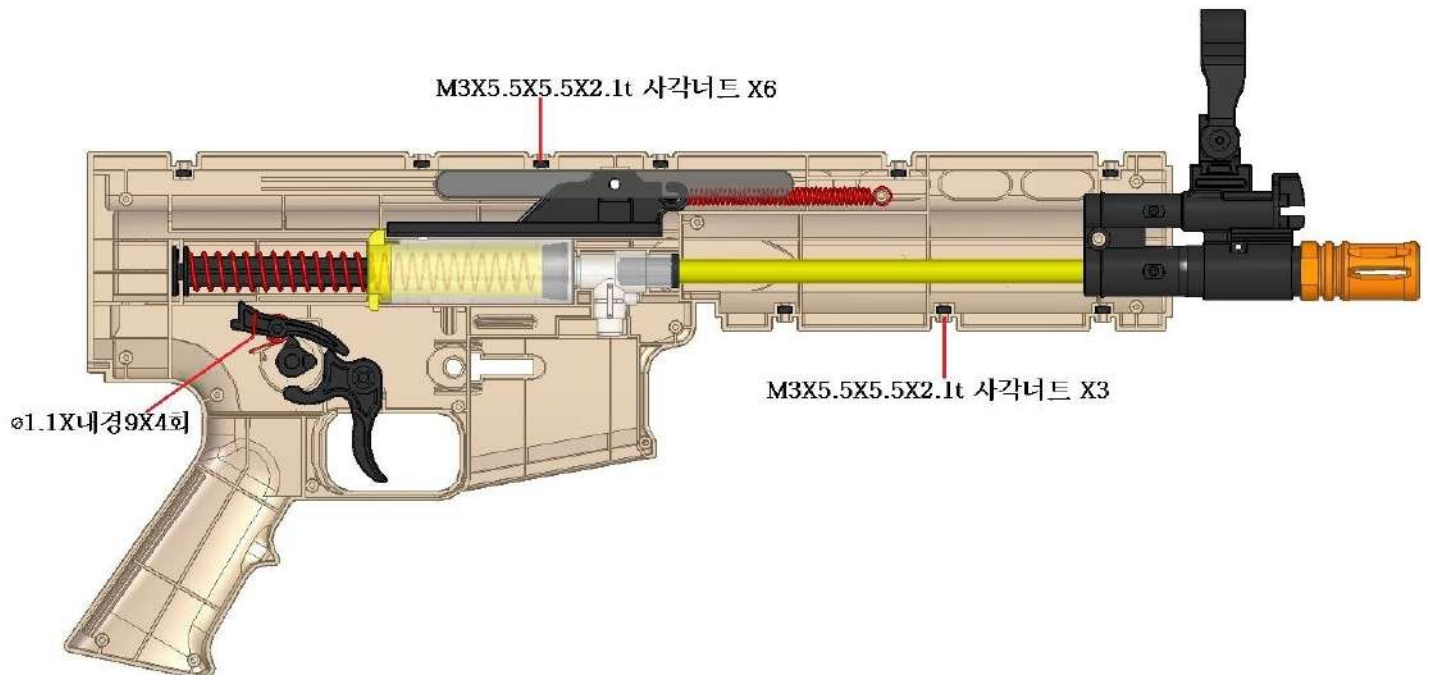
7. Reloading



8. Reloading grip



9. Body-1



10. Body-2



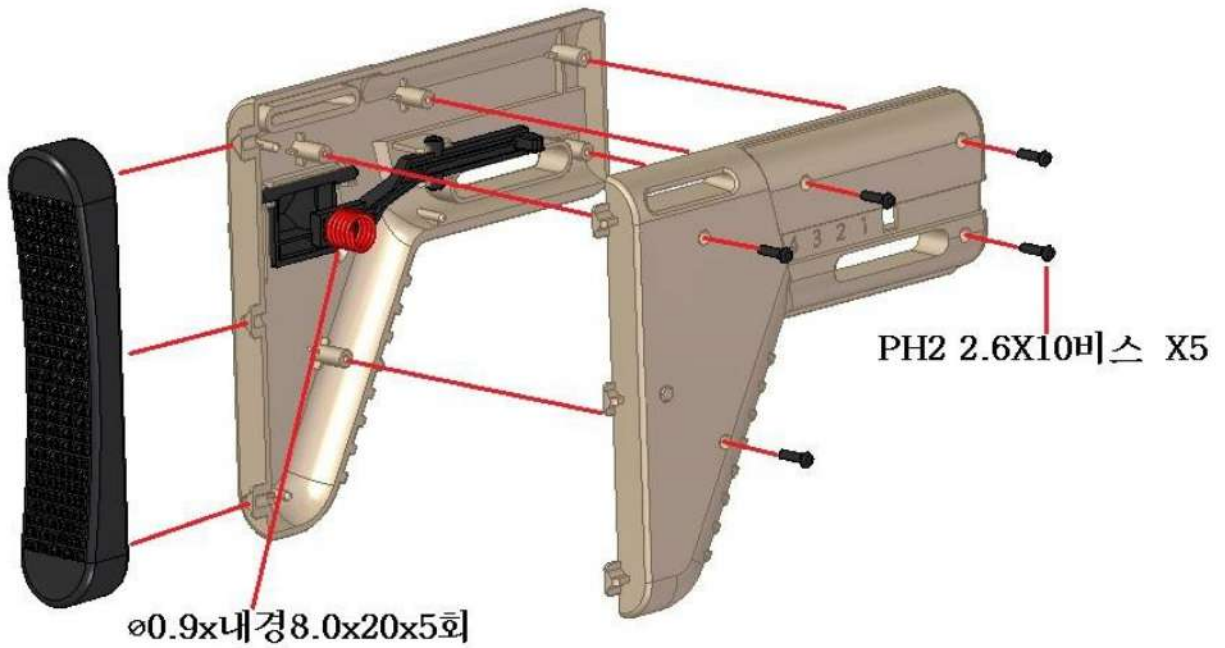
11. Body-3



12. Body-4



13. Stock-1

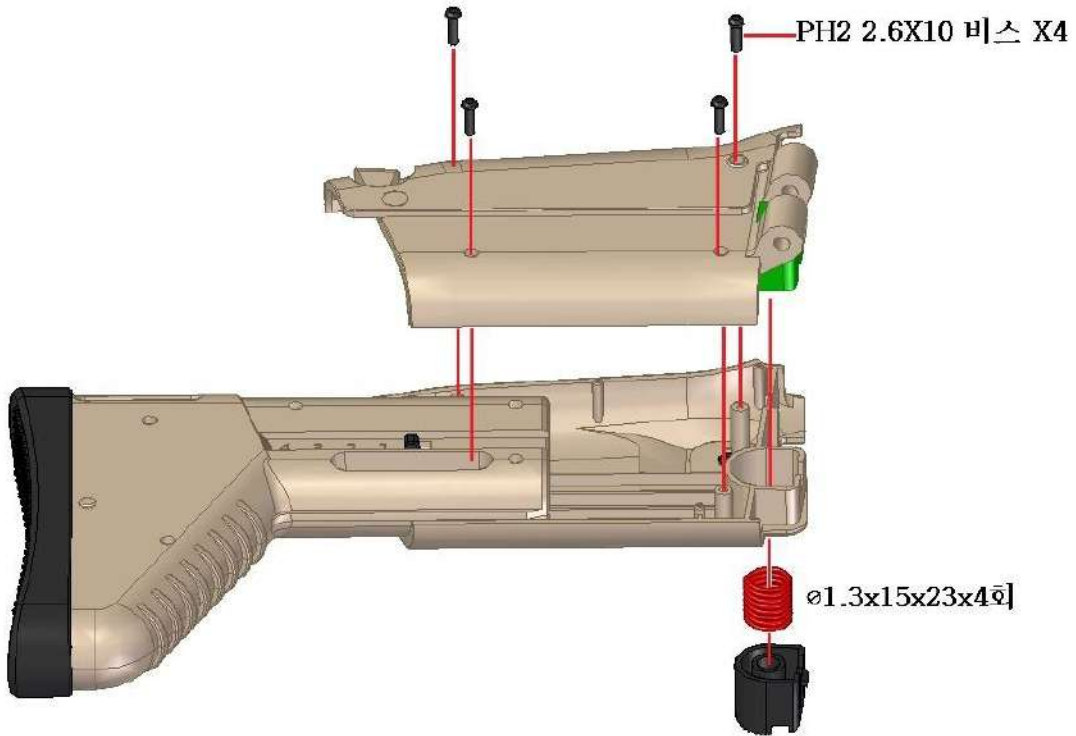


14. Stock-2

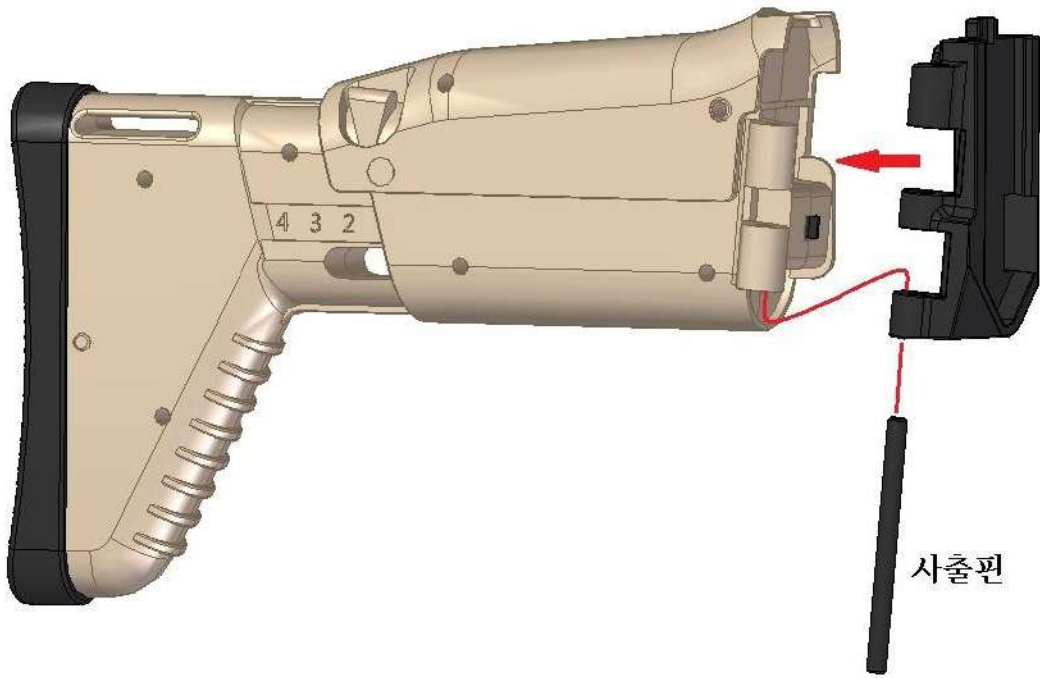


15. Stock-3

AIRSOFT ATLANTIC



16. Stock-4



17. Stock-5



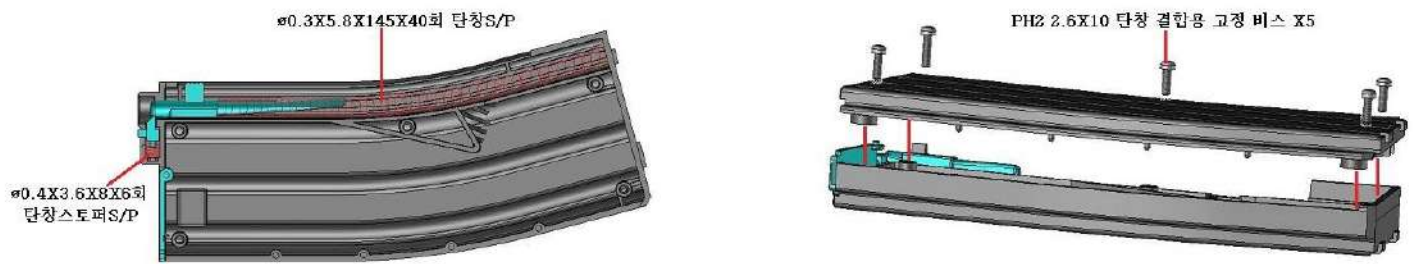
18. Stock-6



19. Accessory



20. Magazine



21. Front grip



22. Completed

