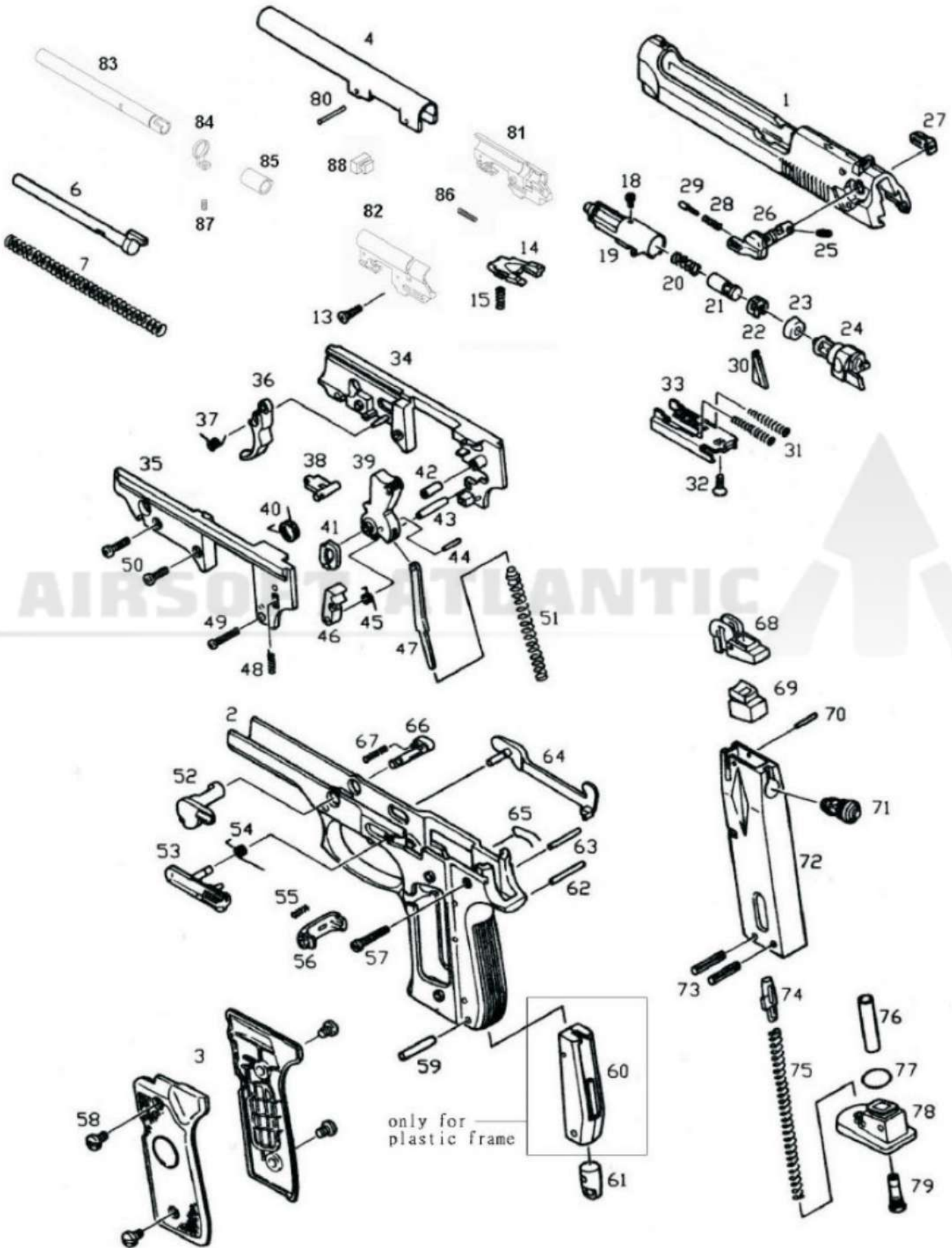


11112 M9 GBB, HW Black



11112 M9 GBB, HW Black



No.	Name
1	SLIDE(METAL)
2	FRAME(METAL)
3	GRIP(L,R 1 SET)
4	OUTTER BARREL(METAL)
6	RECOIL SPRING GUIDE
7	RECOIL SPRING
13	CHAMBER CASE SCREW
14	LOCKING BLOCK
15	LOCKING BLOCK SPRING
18	CYLINDER SCREW
19	CYLINDER
20	CYLINDER SPRING
21	CYLINDER VALVE
22	CYLINDER VALVE STOP
23	PISTON CAP
24	PISTON
25	SAFETY SCREW
26	SAFETY(LEFT)
27	SAFETY(RIGHT)
28	SAFETYCLIP SPRING
29	SAFETY CLIP PIN
30	SAFETY ROD
31	CYLINDER RETURN SPRING
32	PISTON SCREW
33	SLIDE RAIL
34	MAIN CHASSIS(RIGHT)
35	MAIN CHASSIS(LEFT)
36	TRIGGER
37	TRIGGER SPRING
38	VALVE KNOCKER (ALLOY/STEEL)
39	HAMMER(ALLOY/STEEL)
40	VALVE KNOCKER SPRING
41	KNOCKER LOCK PLATE(ALLOY/STEEL)
42	HAMMER COLLAR
43	SEAR COLLAR
44	HAMMER STURT PIN
45	SEAR SPRING
46	SEAR
47	HAMMER STURT
48	KNOCKER LOCKI PLATE SPRING
49	MAIN CHASSIS SCREW(SMALL)
50	MAIN CHASSIS SCREW(LARGE)
51	HAMMER STURT SPRING
52	DISASSEMBLING LATCH
53	SLIDE STOP
54	SLIDE STOP SPRING
55	MAGAZINE CATCH SPRING

No.	Name
56	MAGAZINE CATCH (PLASTIC/METAL)
57	FRAME SCREW
58	GRIP SCREW
59	HAMMER SPRING CAP PIN
60	HAMMER SPRING HOUSING(R,L)
61	HAMMER SPRING CAP
62	HAMMER SPRING HOUSING PIN
63	SEAR PIN(FOR PLASTIC FRAME)
64	TRIGGER BAR
65	TRIGGER BAR SPRING
66	DISASSEMBLING LATCH RELEASE BUTTON
67	DISASSEMBLING LATCH RELEASE BUTTON SP.
68	BB BULLET LIP
69	MAGAZINE GASKET
70	BB BULLET LIP PIN
71	EXHAUST VALVE
72	MAGAZINE CASE
73	MAGAZINE BOTTON PIN
74	FOLLOWER
75	MAGAZINE SPRING
76	REGULATOR PIPE
77	MAGAZINE BOTTON O-RING
78	MAGAZINE BOTTON
79	FILLING VALVE
80	BARREL PIN
81	CHAMBER CASE(R)
82	CHAMBER CASE(L)
83	INNER BARREL
84	ADJUST RING
85	RUBBER CHAMBER
86	BARREL CASE SPRING
87	ADJUST SCREW
88	BUFFER
CM-1	FOLLOWER SPRING
CM-2	FOLLOWER SPRING RETAINER
CM-3	MAGAZINE CASE
CM-4	SPRING RETAINER SCREW
CM-5	VALVE
CM-5-5	VALVE O RING
CM-5-6	VALVE O RING
CM-6	CARTRIDGE STAB O RING
CM-7	CARTRIDGE STAB
CM-8	MAGAZINE BOTTOM CAP
CM-9	MAGAZINE BOTTOM CAP COVER
CM-10	FILTER