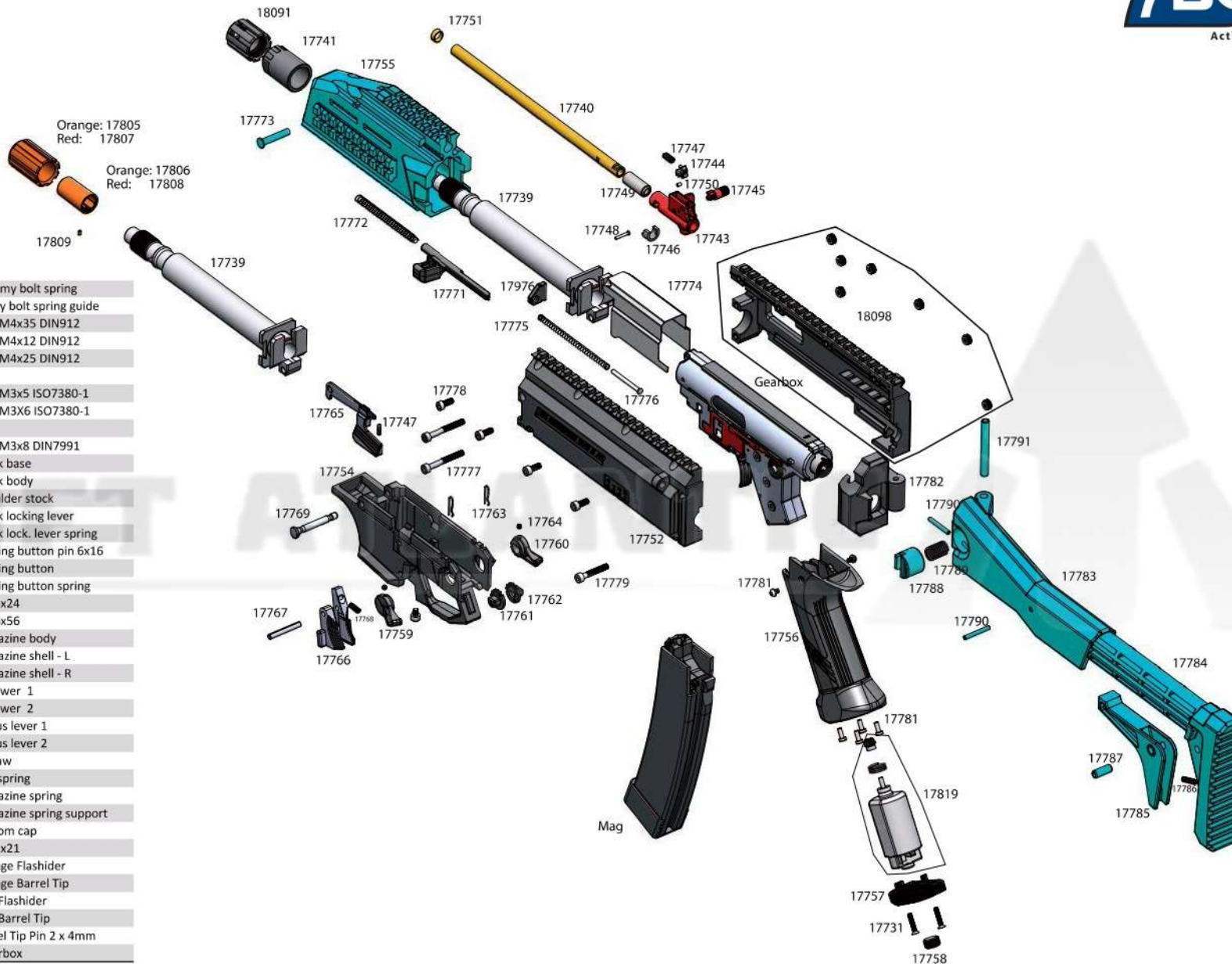


# CZ Evo3A1 Scorpion

17819 Motor 'U-Basic' - Short Type	*
17739 Outer Barrel (UNI)	
17740 Inner Barrel	*
17741 Barrel Nut	
18091 Flash hider Metal CNC	
17743 Hop-Up Chamber	
17744 Hop-Up-lever	
17745 Hop-Up Roler	
17746 Hop-Up C-Clip	
17747 HopUp push-spring	
17748 Hop-Up Pin	
17749 Hop-Up Rubber	*
17750 Hop-Up Bucking	*
17751 Hop-Up Ring	*
17752 Upper Receiver - L	
18098 Upper Receiver - R incl.7xNuts	
17754 Lower Receiver	
17755 Frontset	
17756 Grip	
17757 Grip Cap	
17758 Motor Adjusting Bolt	
17759 Selector Lever - L	
17760 Selector Lever - R	
17761 Selector gear - L	
17762 Selector gear - R	
17763 Selector spring	
17764 Bolt M3x3 DIN916	
17765 Bolt catch lever	
17747 Bolt catch spring	
17766 Mag release	
17767 Mag release Pin 4x30	
17768 Mag release Spring	
17769 Disassembly pin	
17976 Sling hook	
17771 Charging Handle	
17772 Charging Handle spring	
17773 Charging Handle Pin	
17774 Dummy bolt	

17775 Dummy bolt spring	
17776 Dumy bolt spring guide	
17777 Bolt M4x35 DIN912	
17778 Bolt M4x12 DIN912	
17779 Bolt M4x25 DIN912	
17734 Bolt M3x5 ISO7380-1	
17781 Bolt M3X6 ISO7380-1	
17731 Bolt M3x8 DIN991	
17782 Stock base	
17783 Stock body	
17784 Shoulder stock	
17785 Stock locking lever	
17786 Stock lock. lever spring	
17787 Locking button pin 6x16	
17788 Locking button	
17789 Locking button spring	
17790 Pin 3x24	
17791 Pin 6x56	
17792 Magazine body	
17793 Magazine shell - L	
17794 Magazine shell - R	
17795 Follower 1	
17796 Follower 2	
17797 Status lever 1	
17798 Status lever 2	
17799 BB Jaw	
17800 Jaw spring	
17801 Magazine spring	
17802 Magazine spring support	
17803 Bottom cap	
17804 Pin 2x21	
17805 Orange Flashider	
17806 Orange Barrel Tip	
17807 Red Flashider	
17808 Red Barrel Tip	
17809 Barrel Tip Pin 2 x 4mm	
17810 Colorbox	

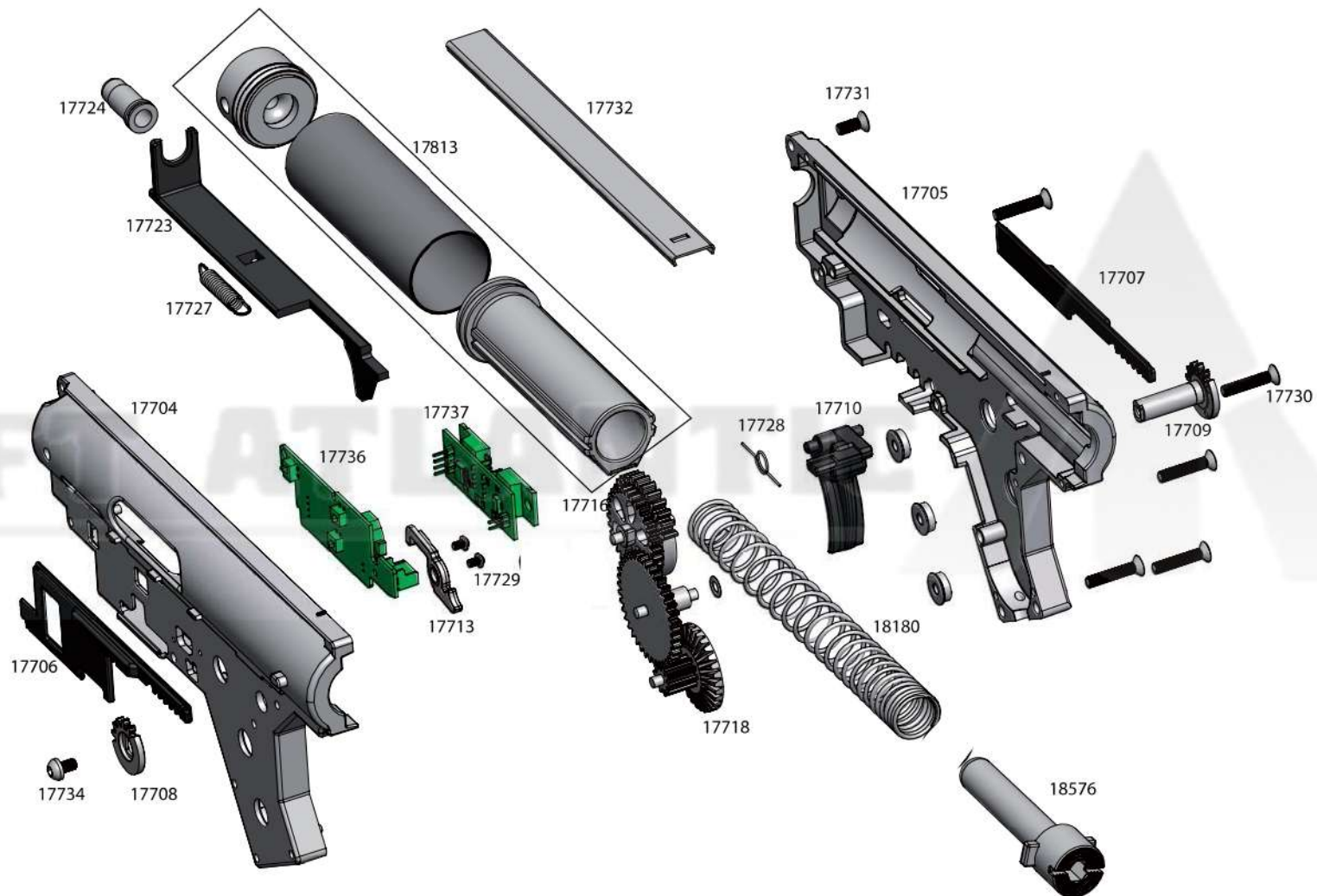
\* This part can be replaced by a Ultimate Upgrade part.  
 \* Cette pièce peut être remplacée par une pièce d'upgrade « Ultimate »  
 \* Der Bauteil kann durch einen Ultimate Upgrade Teil



# CZ Evo3A1 Scorpion

- 17704 Gearbox shell - L
- 17705 Gearbox shell - R
- 17706 Selector Plate - L
- 17707 Selector Plate - R
- 17708 Transfer gear - L
- 17709 Transfer gear - R
- 17710 Trigger
- 18576 Spring guide

- 17713 Cut-Off Lever
- n/a Oilless Bushing - 8mm \*
- n/a Shims \*
- 17716 Gear – Sector \*
- 17717 Gear – Spur \*
- 17718 Gear – Bevel \*
- 17723 Tappet Plate V3
- 17724 Nozzle
- 18180 Main Spring M95 \*
- 18179 Main Spring M120 \*
- 17727 Tappet spring \*
- 17728 Trigger Spring \*
- 17729 Bolt M2x3 DIN967H..
- 17730 Bolt M3x16 DIN7991
- 17731 Bolt M3x8 DIN7991
- 17732 Gearbox plate
- 17734 Bolt M3x5 ISO7380-1
- 17736 AS ECU for Scorpion AEG
- 17737 AS FET for Scorpion AEG
- 17813 Cylinder Assembly \*



\* This part can be replaced by a Ultimate Upgrade part for Ver.2 gearbox types.  
 \* Cette pièce peut être remplacée par une pièce d'upgrade « Ultimate » pour les gearboxes type ver.2  
 \* Der Bauteil kann durch einen Ultimate Upgrade Teil für die Gearbox Ver.2 ersetzt werden.

# CZ Evo3A1 Scorpion

- 17792 Magazine body
- 17793 Magazine shell - L
- 17794 Magazine shell - R
- 17795 Follower 1
- 17796 Follower 2
- 17797 Status lever 1
- 17798 Status lever 2
- 17799 BB Jaw
- 17800 Jaw spring
- 17801 Magazine spring
- 17802 Magazine spring support
- 17803 Bottom cap
- 17804 Pin 2x21

