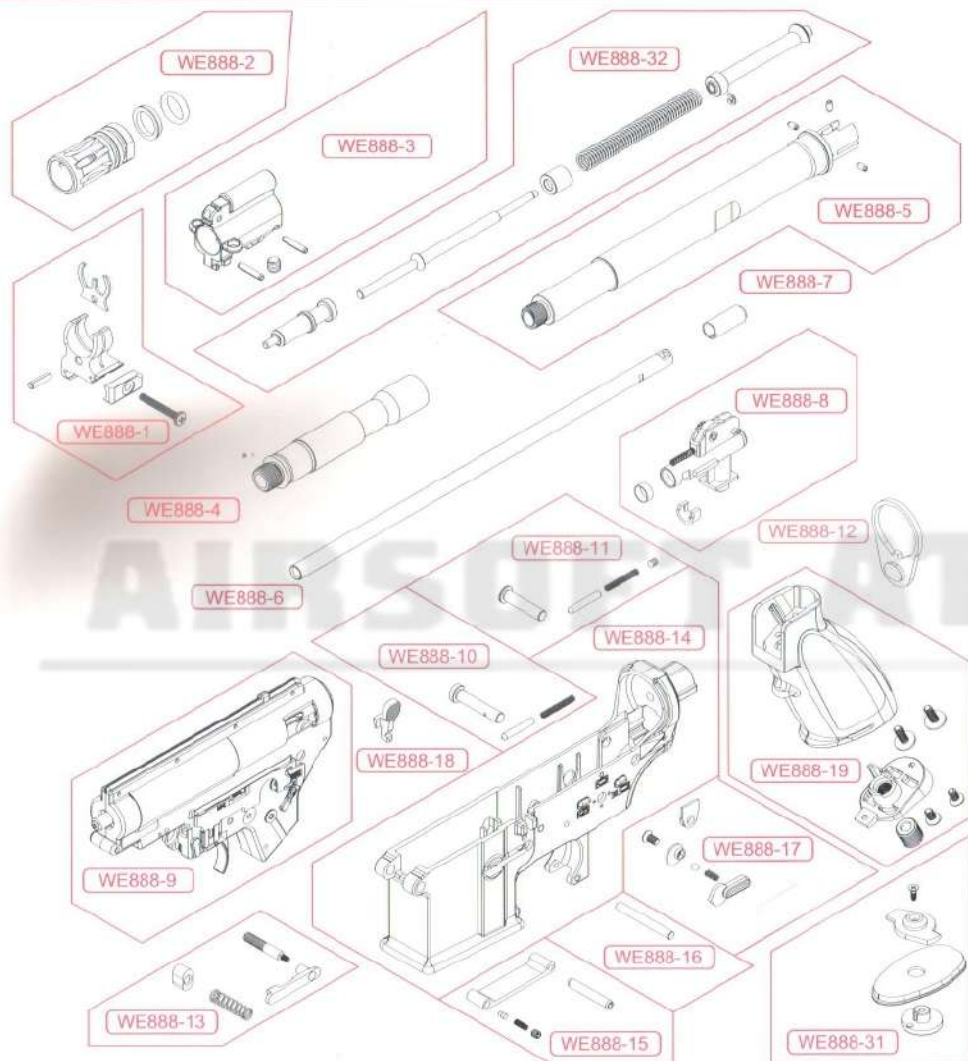
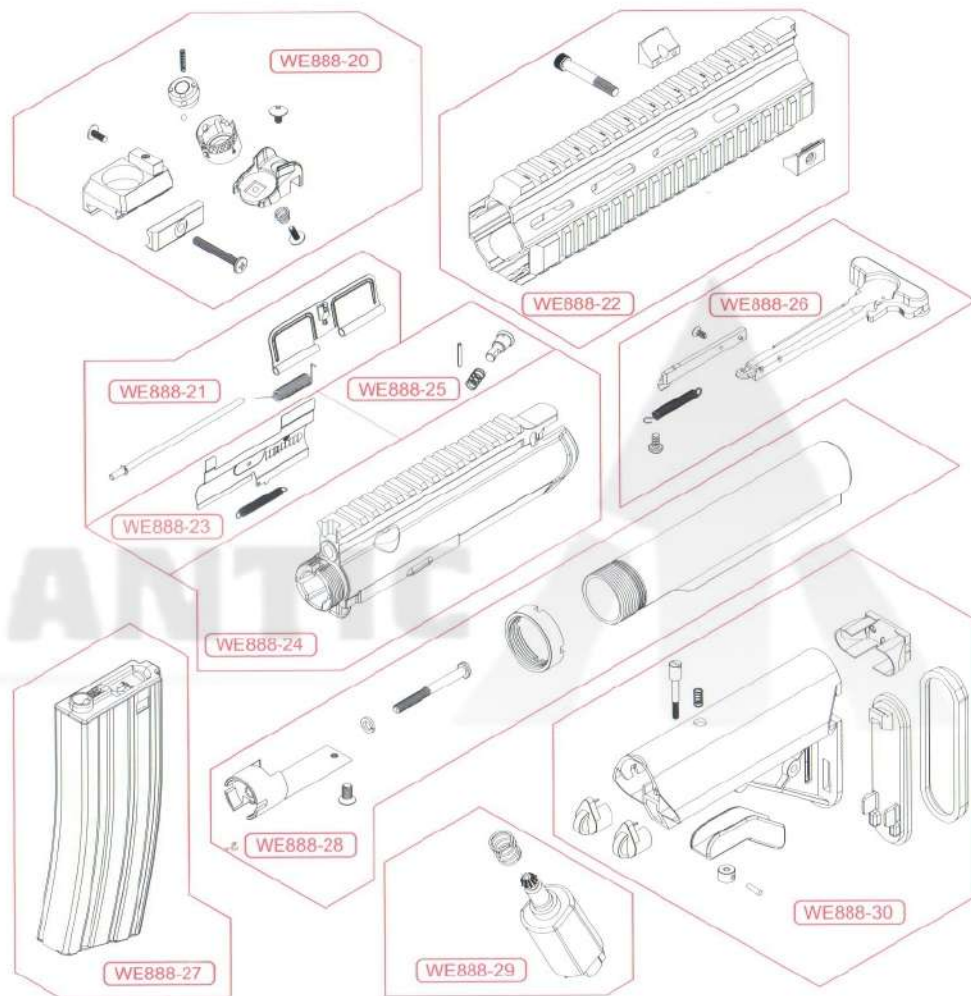


10. 分解圖、零件表

PARTS LIST



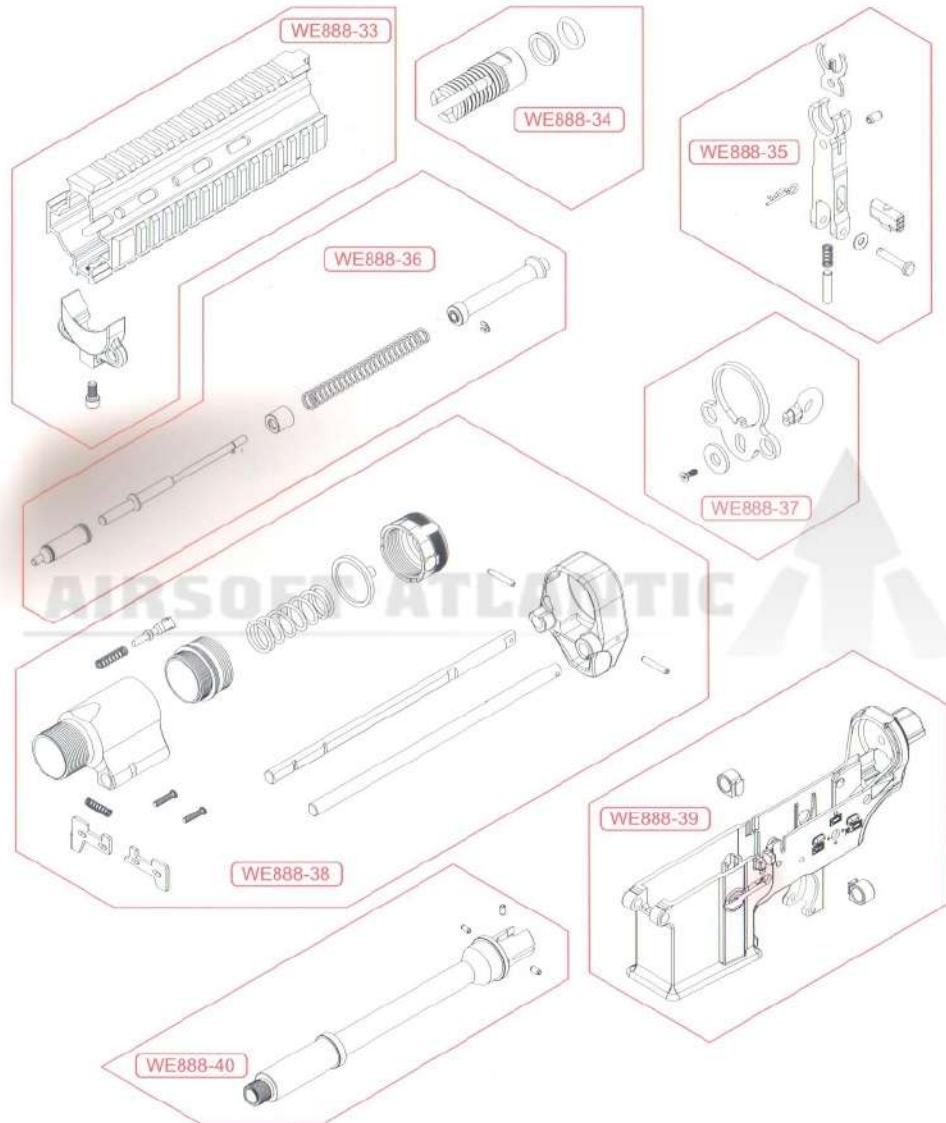
NO.	品名 Parts name	NO.	品名 Parts name
WE888-1	準星組 Front Sight Set	WE888-9	齒輪箱組 Gear Box Set
WE888-2	防火帽組 Flash Hider Set	WE888-10	前插銷組 Front Pivot Pin Set
WE888-3	瓦斯缸管組 Gas Block Set	WE888-11	後插銷組 Rear Pivot Pin Set
WE888-4	槍管前段 Front Barrel	WE888-12	槍托連接蓋板 Receiver End Plate
WE888-5	槍管後段組 Rear Barrel Set	WE888-13	彈匣卡榫組 Magazine Catch Set
WE888-6	內槍管 Inner Barrel	WE888-14	下槍身 Lower Receiver
WE888-7	上旋系統橡皮 Hop-Up Rubber	WE888-15	扳機護弓組 Trigger Guard Set
WE888-8	上旋系統組 Hop-Up Set	WE888-16	扳機鎖梢 Trigger Lock Pin
		WE888-17	
		WE888-18	
		WE888-19	
		WE888-20	
		WE888-21	
		WE888-22	
		WE888-23	
		WE888-24	
		WE888-25	
		WE888-26	
		WE888-27	
		WE888-28	
		WE888-29	
		WE888-30	
		WE888-31	



NO.	品名 Parts name	NO.	品名 Parts name
WE888-17	射擊選擇鈕組 Selector Lever Set	WE888-25	槍機助進器組 Forward Assist Knob Set
WE888-18	槍機卡榫 Bolt Catch	WE888-26	槍機拉柄組 Charging Handle Set
WE888-19	握把組 Pistol Grip Set	WE888-27	300發彈匣 300rd Magazine
WE888-20	照門組 Rear Sight Set	WE888-28	伸縮托桿組 Stock Tube Set
WE888-21	防塵蓋組 Ejection Port Cover Set	WE888-29	馬達組 Motor Set
WE888-22	護木組 Handguards Set	WE888-30	海軍伸縮托組 Crane stock Set
WE888-23	槍機飾片組 Dummy Bolt Set		
WE888-24	上槍身組 Upper Receiver Set		

10. 分解圖、零件表

PARTS LIST



NO.	品名 Parts name
WE888-33	888C護木組 888C Handguards Set
WE888-34	888C防火帽組 888C Flash Hider Set
WE888-35	888C準星組 888C Front Sight Set
WE888-36	888C活塞桿組 888C Piston Rod Set

NO.	品名 Parts name
WE888-37	888C槍托連接蓋板組 888C Receiver End Plate Set
WE888-38	888C伸縮托組 888C Stock Set
WE888-39	888C下槍身 888C Lower Receiver
WE888-40	888C槍管組 888C Barrel Set

11. 故障診斷

TROUBLE CLINIC

狀況 SYMPTOM	原因 CAUSE	處理方式 ACTION
無法作動 No operation at all	選擇鈕設定在SAFE的位置 Selector lever set to SAFE.	將選擇鈕切換到半自動或全自動 Set the selector to AUTO or SEMI.
	電池沒電 Battery is dead.	電池充電 Charge the battery.
	電池接頭脫離 Battery connector is disconnect.	接頭確實接牢 Connect the connector.
	馬達標準壽命已到(約5萬發) Expired the motor life. (about 5 million rounds)	更換馬達 Replace the motor.
	保險絲燒毀 Fuse is blown out.	更換保險絲 Replace the fuse.
馬達有動作卻不能擊發 Motor is revolving but gun doesn't work	齒輪或內部零件損壞 Gear or internal components of damage.	請至專賣店維修 Purchase the replacement parts from the dealer.
	彈匣卡彈 Bullets are clogged in the magazine.	請輕拍彈匣並使用高品質BB彈 Shake the magazine and use high quality BB bullets.
	槍膛卡彈 Bullets are clogged in the chamber.	使用通槍條通出BB彈 Using the cleaning rod to remove the bullet.
單發不正確 Malfunction of semi auto	齒輪正時未對準 Deviation in gear timing.	切換至連發射擊2~3秒後再切回單發 Firing 2~3 sec in the full auto mode and then return to the semi auto.
	單連發撥桿損壞 Cut off lever damage.	請至專賣店維修 Purchase the replacement parts from the dealer.
連發不正確 Malfunction of full auto	齒輪正時未對準 Deviation in gear timing.	切換至單發射擊2~3發後再切回連發 Firing 2~3 shots in the semi auto mode and then return to the full auto.
	單連發撥桿損壞 Cut off lever damage.	請至專賣店維修 Purchase the replacement parts from the dealer.
連發速度變慢 Firing circle slow	電池即將沒電 Deviation in gear timing.	電池充電 Charge the battery.
BB彈飛行距離變短或未擊發時由槍口掉落 Shooting distance becomes shorter or not fired when falls by the muzzle.	上旋系統未調整 Hop-Up system unadjusted.	調整上旋系統 Adjusted the hop-up.
	BB彈不良 Faulty BB bullets.	請使用高品質BB彈(勿使用回收彈) Please use high quality BB bullets. (Do not use the recycling bullets)
	活塞O環磨損 The piston o-ring worn off.	請至專賣店維修 Purchase the replacement parts from the dealer.
作動聲音異常 Overly loud operating noise	齒輪或內部零件損壞 Gear or internal components of damage.	請至專賣店維修 Purchase the replacement parts from the dealer.