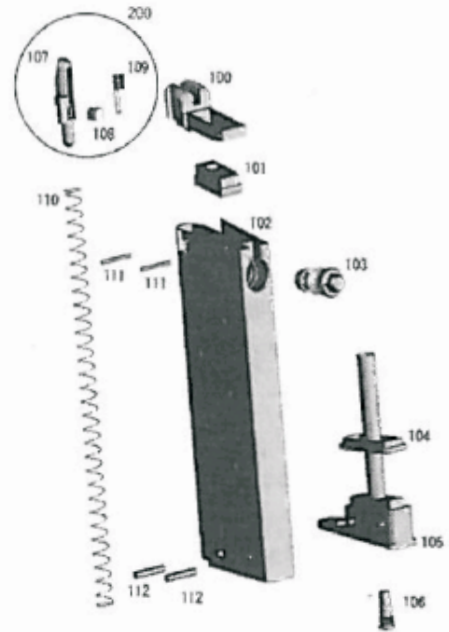


1. SLIDE
2. BARREL BUSHING
3. OUTER BARREL
4. BARREL LINK SCREW X 2
5. BARREL LINK X 2
6. BARREL LINK PIN
7. GAS CHAMBER CYLINDER
8. JET NOZZLE PIN
9. JET NOZZLE SPRINGS x 1
10. JET NOZZLE
11. MAIN SEAL CAP SCREW
12. MAIN SEAL CAP
13. MAIN SEAL
14. MAIN SEAL BASE
15. INNER BARREL
16. HOP UP BALL
17. HOP UP SEAL
18. INNER BARREL BASE
19. INNER BARREL LOCK
20. INNER BARREL LOCK SCREW
21. HOP UP CYLINDER CLIP
22. HOP UP CYLINDER
23. GAS CHAMBER BASE
24. CYLINDER RETURN SPRINGS X 2
25. MAIN SEAL BASE SCREW
26. FIRING PIN SPRINGS x 1
27. FIRING PIN
28. FIRING PIN STOP
29. GAS CHAMBER BASE SCREW
30. INNER FRAME BASE SCREW
31. INNER FRAME BASE
32. IMPACT BLOCK RESET LEVER
33. BLOCK RESET LEVER SPRINGS x 1
34. HAMMER PIN SLEEVE
35. SEAR PIN SLEEVE
36. RESET LEVER STOP
37. IMPACT BLOCK FIRING PIN
38. DISCONNECTOR
39. SEAR
40. IMPACT BLOCK LEVER

41. IMPACT BLOCK SPRINGS x 1
42. IMPACT BLOCK
43. IMPACT BLOCK PIN
44. HAMMER
45. HAMMER STRUT
46. HAMMER STRUT PIN
47. RECOIL SPRINGS CAP
48. RECOIL SPRINGS x 1
49. RECOIL SPRINGS GUIDE
50. GRIP SAFETY
51. MAIN SPRINGS HOUSING PLUNGER
52. MAIN SPRINGS HOUSING SPRINGS X 1
53. MAIN SPRINGS HOUSING PIN
54. MAIN SPRINGS HOUSING PLUNGER PIN
55. MAIN SPRINGS HOUSING
56. 4-LEAF SEAR SPRINGS X 1
57. MAGAZINE CATCH BUTTON
58. MAGAZINE CATCH SPRINGS X 1
59. MAGAZINE CATCH LOCK
60. TRIGGER BOW PIN
61. TRIGGER BOW
62. TRIGGER
63. PLUNGER TUBE
64. SLIDE STOP LEVER PLUNGER
65. PLUNGER SPRINGS X 1
66. SAFETY LEVER PLUNGER
67. FRAME
68. SLIDE STOP LEVER
69. SLIDE STOP SLEEVE
70. SLIDE STOP SCREW
71. HAMMER PIN
72. SEAR PIN
73. SAFETY LEVER
74. MAIN SPRINGS HOUSING PIN
75. GRIP SCREW X 4
76. GRIP (LEFT)
77. GRIP (RIGHT)
78. GRIP WEIGHT (LEFT)
79. GRIP WEIGHT (RIGHT)



MAGAZINE

100. MAGAZINE LIP
101. MAGAZINE NOZZLE SEAL
102. MAGAZINE BODY
103. MAGAZINE RELEASE VALVE
104. MAGAZINE BASE SEAL
105. MAGAZINE BASE
106. MAGAZINE HARGING VALVE
107. FOLLOWER
108. FOLLOWER LOCK
109. FOLLOWER LEAF SPRINGS X 1
110. MAGAZINE FOLLOWER SPRINGS x 1
111. MAGAZINE LIP PIN X 2
112. MAGAZINE BASE PIN X 2
200. MAGAZINE FOLLOWER ASSEMBLY