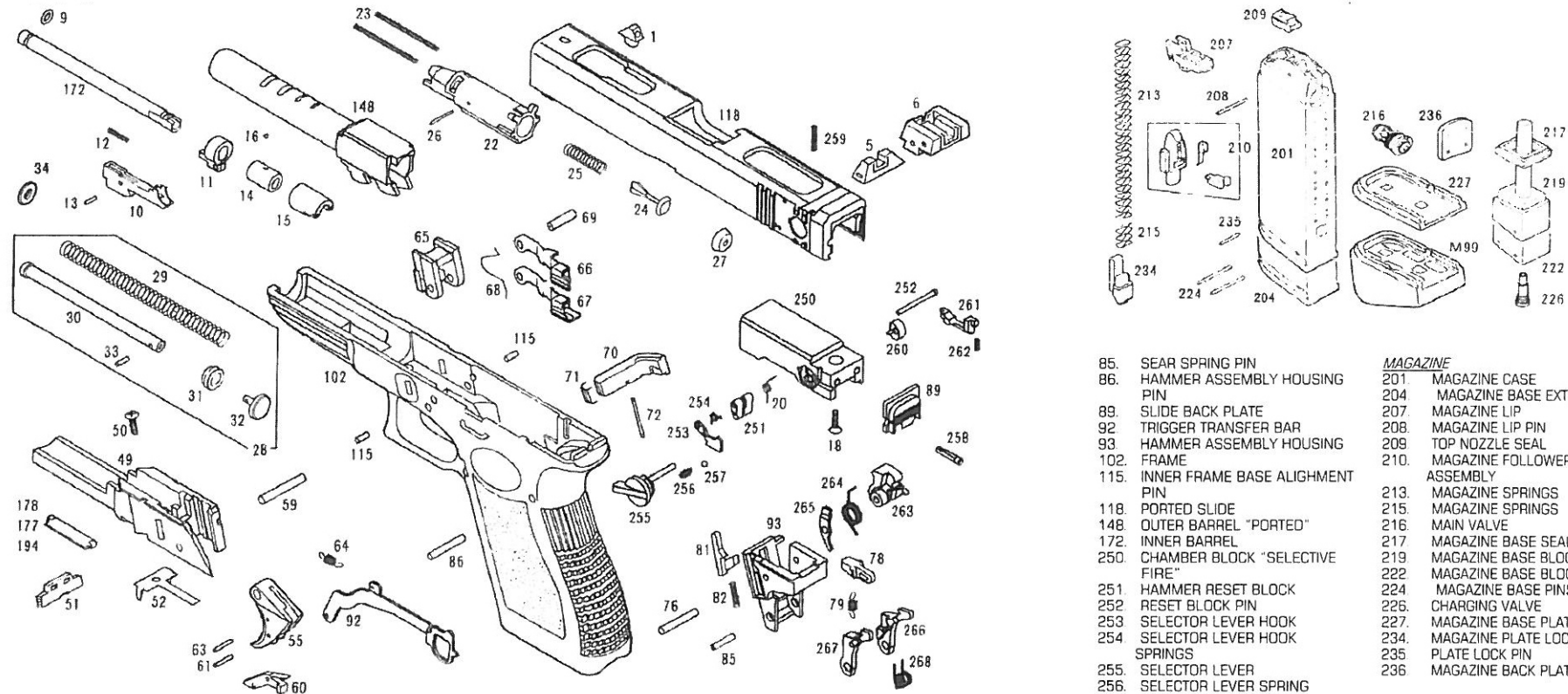


16077 G18C MS GBB



GBB PARTS

- 01. FRONT SIGHT
- 05. REAR SIGHT "STANDARD"
- 09. BARREL O-RING
- 10. INNER BARREL BASE
- 11. INNER BARREL SLEEVE
- 12. INNER BARREL SPRING
- 13. BASE PIN
- 14. CHAMBER SEAL
- 15. HOP UP HOOD
- 16. HOP UP BALL
- 18. GAS CHAMBER BLOCK SCREW
- 20. RESET BLOCK SPRING

- 22. GAS CHAMBER CYLINDER
- 23. CYLINDER SPRING X2
- 24. GAS CHAMBER PLUNGER
- 25. PLUNGER SPRING
- 26. PLUNGER PIN
- 27. GAS CHAMBER SEAL
- 28. RECOIL SPRING ASSEMBLY
- 29. SPRING
- 30. GUIDE ROD
- 31. GUIDE RING
- 32. GUIDE END CAP
- 33. END CAP PIN
- 34. RECOIL BUFFER

- 49. INNER FRAME BASE
- 50. BASE SCREW
- 51. SLIDE LOCK UP BLOCK
- 52. LOCK UP BLOCK SPRINGS
- 55. TRIGGER
- 59. TRIGGER PIN
- 60. TRIGGER SAFETY "NOT INCLUDED"
- 61. SAFETY PIN
- 63. TRANSFER BAR PIN
- 64. TRANSFER BAR SPRINGS
- 65. BARREL LOCK UP BASE
- 66. SLIDE STOP LEVER "STANDARD"

- 67. SLIDE STOP LEVER "EXTENDED"
- 68. SLIDE STOP SPRING
- 69. TRIGGER PIN SLEEVE
- 70. MAGAZINE RELEASE BUTTON "STANDARD"
- 71. MAGAZINE RELEASE BUTTON "EXTENDED"
- 72. MAGAZINE RELEASE SPRING
- 76. HAMMER PIN
- 78. IMPACT HAMMER BLOCK
- 79. BLOCK SPRING
- 81. DISCONNECTOR
- 82. DISCONNECTOR SPRINGS

- 85. SEAR SPRING PIN
- 86. HAMMER ASSEMBLY HOUSING PIN
- 89. SLIDE BACK PLATE
- 92. TRIGGER TRANSFER BAR
- 93. HAMMER ASSEMBLY HOUSING
- 102. FRAME
- 115. INNER FRAME BASE ALIGNMENT PIN
- 118. PORTED SLIDE
- 148. OUTER BARREL "PORTED"
- 172. INNER BARREL
- 250. CHAMBER BLOCK "SELECTIVE FIRE"
- 251. HAMMER RESET BLOCK
- 252. RESET BLOCK PIN
- 253. SELECTOR LEVER HOOK
- 254. SELECTOR LEVER HOOK SPRINGS
- 255. SELECTOR LEVER
- 256. SELECTOR LEVER SPRING
- 257. SELECTOR LEVER BALL
- 258. LEVER ALIGNMENT PIN
- 259. SELECTOR SET SCREW
- 260. SELECTOR ELEVATOR
- 261. SELECTOR ELEVATOR BAR
- 262. ELEVATOR BAR SPRING
- 263. HAMMER
- 264. HAMMER SPRING
- 265. LEFT SEAR DISCONNECTOR
- 266. "RIGHT" SEAR
- 267. "LEFT" SEAR
- 268. SEAR SPRING

MAGAZINE

- 201. MAGAZINE CASE
- 204. MAGAZINE BASE EXTENSION
- 207. MAGAZINE LIP
- 208. MAGAZINE LIP PIN
- 209. TOP NOZZLE SEAL
- 210. MAGAZINE FOLLOWER ASSEMBLY
- 213. MAGAZINE SPRINGS
- 215. MAGAZINE SPRINGS
- 216. MAIN VALVE
- 217. MAGAZINE BASE SEAL
- 219. MAGAZINE BASE BLOCK
- 222. MAGAZINE BASE BLOCK
- 224. MAGAZINE BASE PINS
- 226. CHARGING VALVE
- 227. MAGAZINE BASE PLATE
- 234. MAGAZINE PLATE LOCK
- 235. PLATE LOCK PIN
- 236. MAGAZINE BACK PLATE STOP