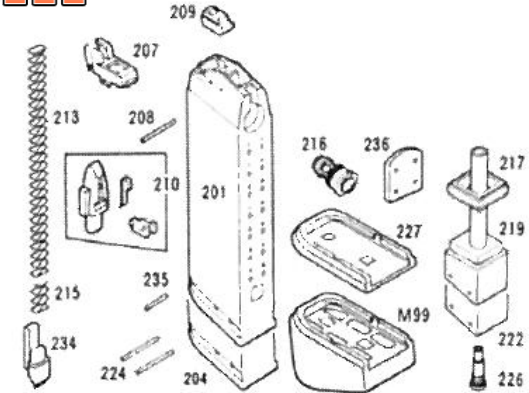
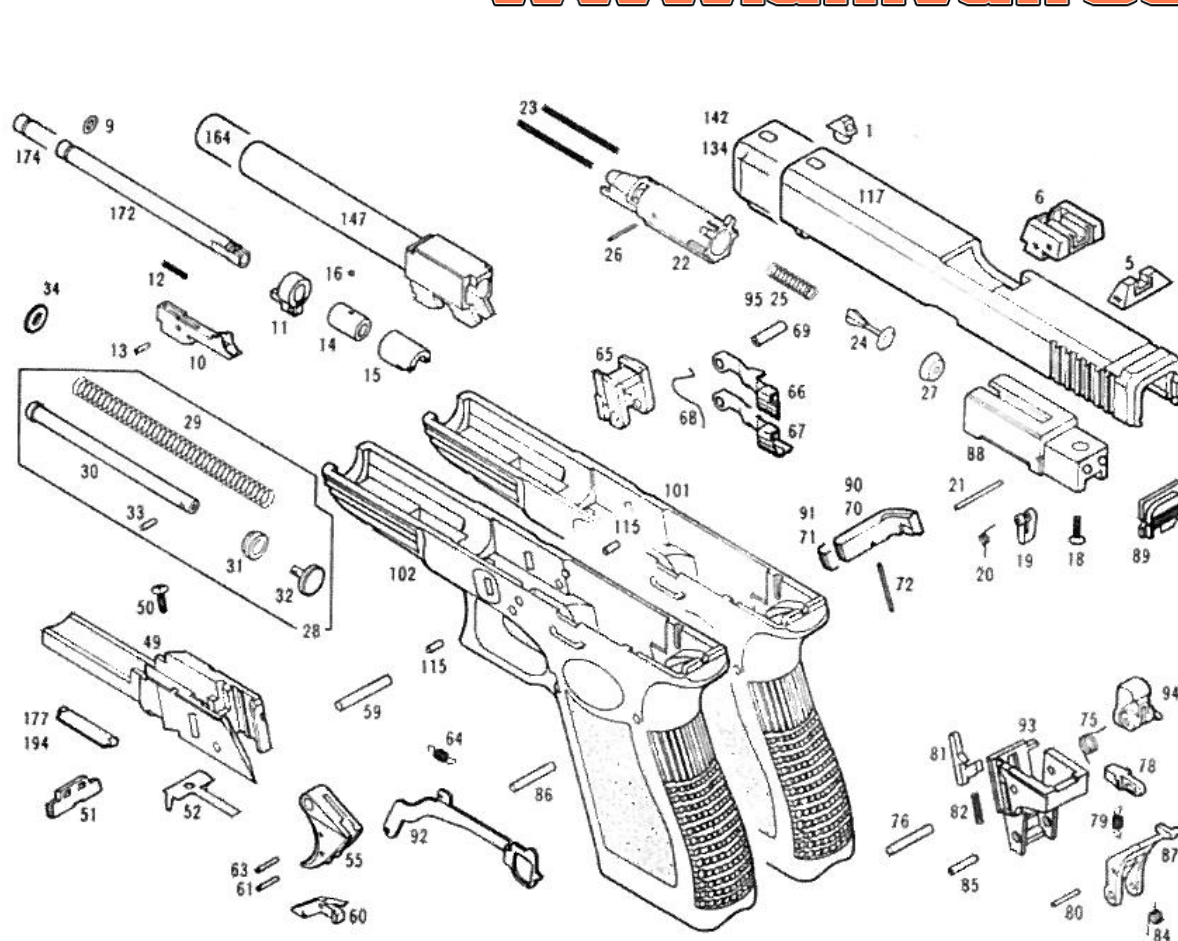


# 16084 G17 GBB

# UNIVAIRSOFT

www.univairsoft.com



- PARTS**
- 1 FRONT SIGHT
  - 5 REAR SIGHT "STANDARD"
  - 6 ADJUSTABLE REAR SIGHT (OPTION)
  - 9 BARREL O-RING
  - 10 INNER BARREL BASE
  - 11 INNER BARREL SLEEVE
  - 12 INNER BARREL SPRING

- 13 BASE PIN
- 14 CHAMBER SEAL
- 15 HOP UP HOOD
- 16 HOP UP BALL
- 18 GAS CHAMBER BLOCK SCREW
- 19 HAMMER RESET BLOCK
- 20 RESET BLOCK SPRING
- 21 RESET BLOCK PIN

- 22 GAS CHAMBER CYLINDER
- 23 CYLINDER SPRING X 2
- 24 PLUNGER
- 25 PLUNGER SPRINGS
- 26 PLUNGER PIN
- 27 GAS CHAMBER SEAL
- 28 RECOIL SPRING ASSEMBLY
- 29 RECOIL SPRING

- MAGAZINE**
- 201 MAGAZINE
  - 207 MAGAZINE LIP
  - 208 MAGAZINE LIP PIN
  - 209 MAGAZINE NOZZLE SEAL
  - 210 MAGAZINE FOLLOWER ASSEMBLY
  - 213 MAGAZINE SPRING
  - 216 MAGAZINE RELEASE VALVE

- 217 MAGAZINE BASE BLOCK SEAL
- 219 MAGAZINE BASE BLOCK
- 224 MAGAZINE BASE BLOCK PIN
- 226 MAGAZINE CHARGING VALVE
- 227 MAGAZINE BASE PLATE
- 234 MAGAZINE BASE PLATE LOCK
- 235 MAGAZINE BASE PLATE LOCK PIN

- 30 GUIDE ROD
- 31 GUIDE RING
- 32 GUIDE END CAP
- 33 END CAP PIN
- 49 INNER FRAME BASE
- 50 BASE SCREW
- 51 DISASSEMBLY LEVER
- 52 DISASSEMBLY LEVER SPRING
- 55 TRIGGER
- 59 TRIGGER PIN
- 60 TRIGGER SAFETY (NOT INCLUDED)
- 61 SAFETY PIN
- 63 TRANSFER BAR PIN
- 64 TRANSFER BAR SPRING
- 65 BARREL LOCK UP BASE
- 66 SLIDE STOP LEVER "STANDARD"
- 68 SLIDE STOP SPRING
- 69 TRIGGER PIN SLEEVE
- 70 MAGAZINE RELEASE BUTTON "STANDARD"
- 72 MAGAZINE RELEASE SPRING

- 75 HAMMER SPRINGS
- 76 HAMMER PIN
- 78 IMPACT HAMMER BLOCK
- 79 BLOCK SPRING
- 80 SEAR PIN
- 81 DISCONNECTOR
- 82 DISCONNECTOR SPRING
- 84 SEAR SPRING
- 85 SEAR SPRING PIN
- 86 HAMMER ASSEMBLY HOUSING PIN
- 87 SEAR
- 88 GAS CHAMBER BLOCK
- 89 SLIDE BACK PLATE
- 92 TRIGGER TRANSFER BAR
- 93 HAMMER ASSEMBLY HOUSING
- 94 HAMMER
- 101 FRAME
- 117 SLIDE
- 147 OUTER BARREL
- 172 INNER BARREL

ActionSportGames A/S  
 Bakkegaardsvej 304  
 DK-3050 Humlebaek  
 Denmark

Phone: +45 8928 1888  
 Fax: +45 4919 3160  
 sales@actionsportgames.com

# actionsportgames.com