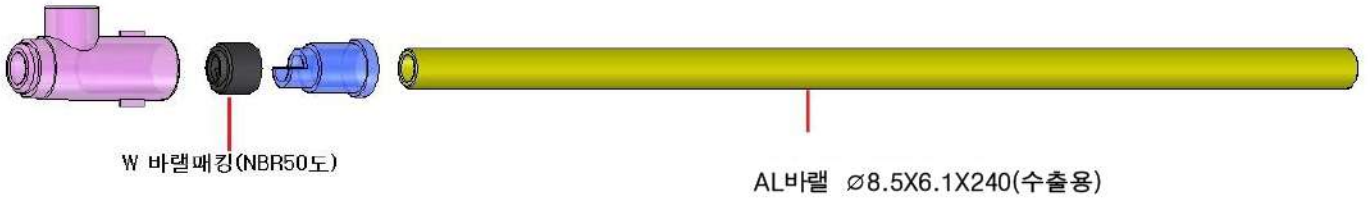
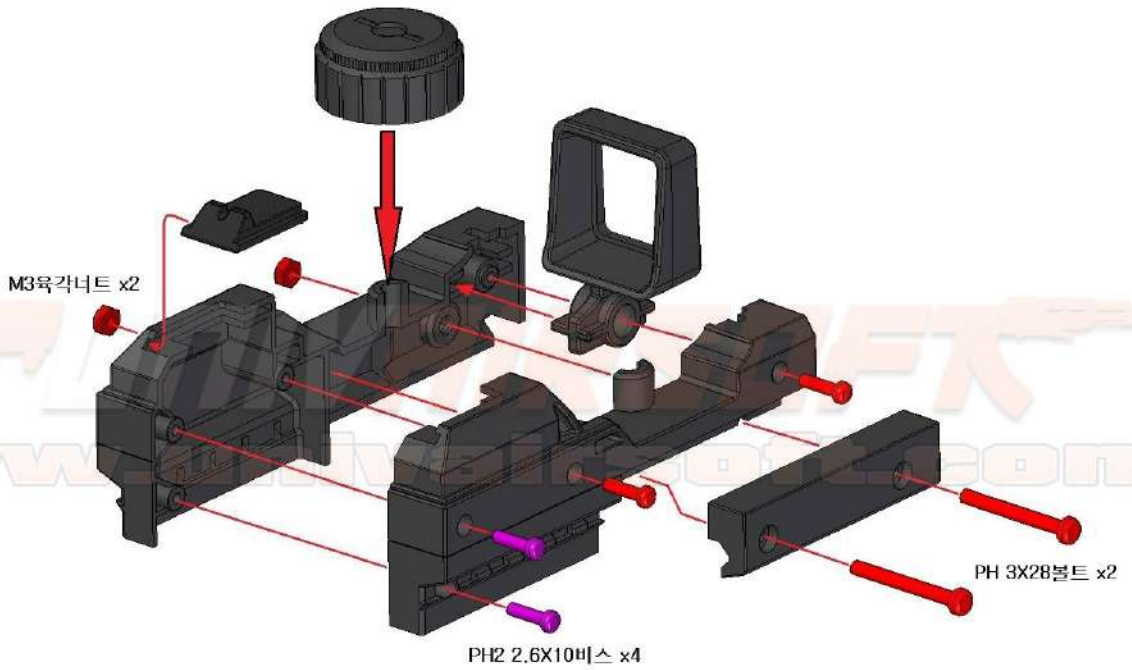


1. Barrel



2. Dot sight



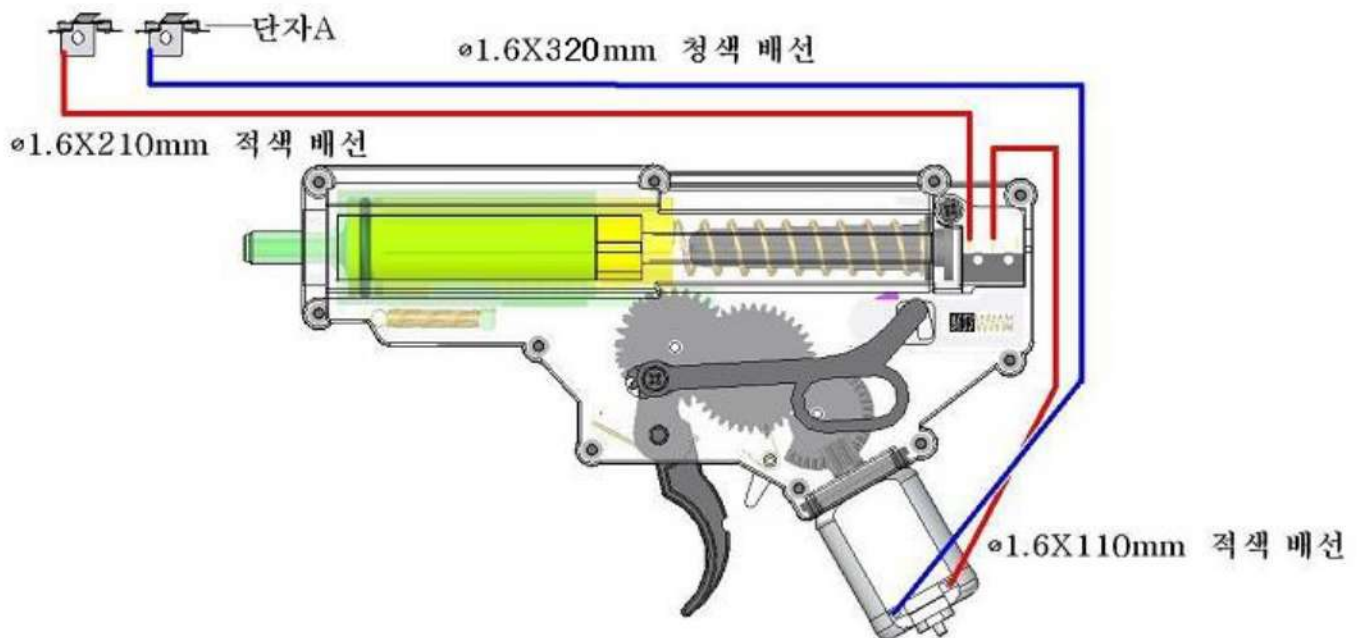
3. Front sight housing



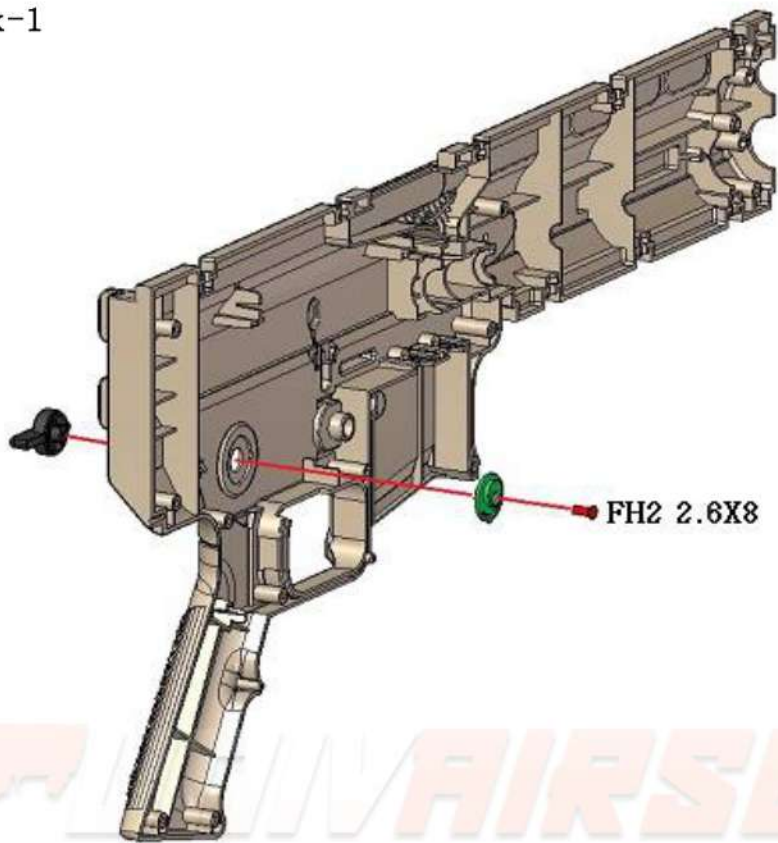
4. Back sight



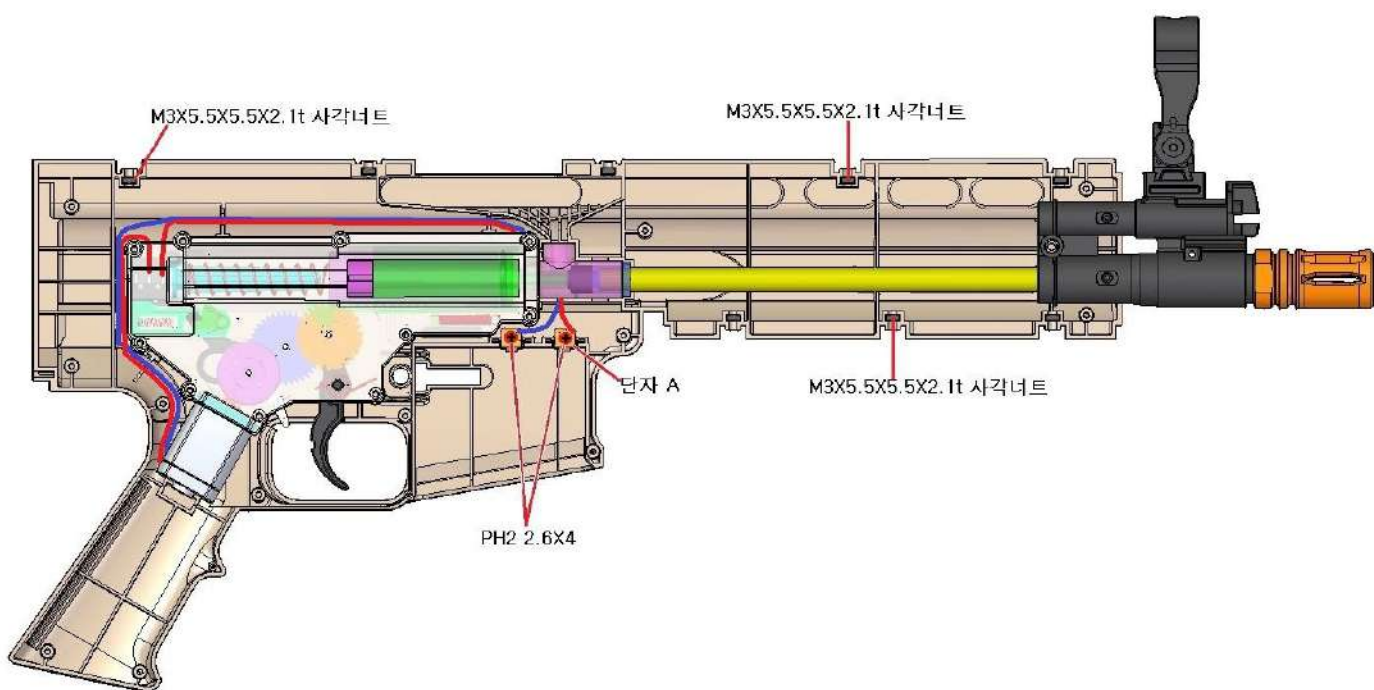
5. Gear box



6. Safety lock-1



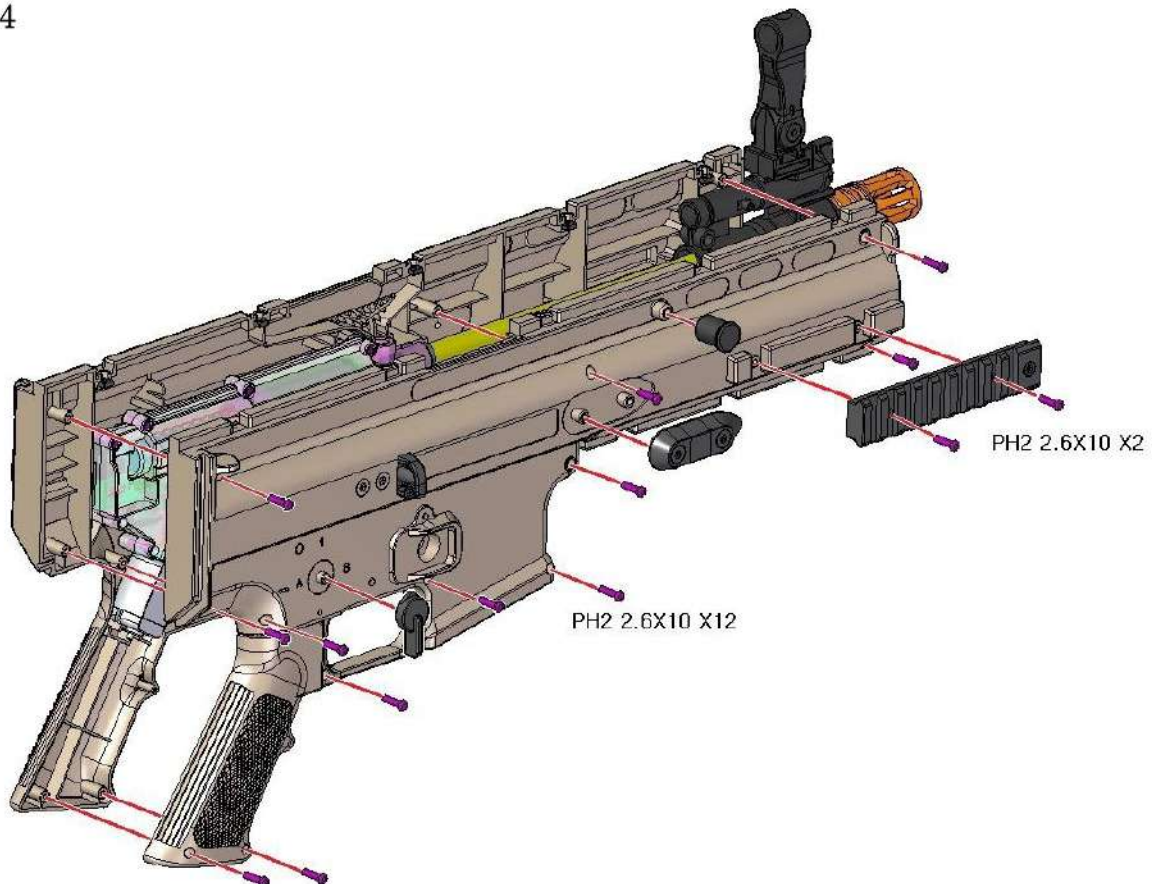
7. Body-2



8. Body-3



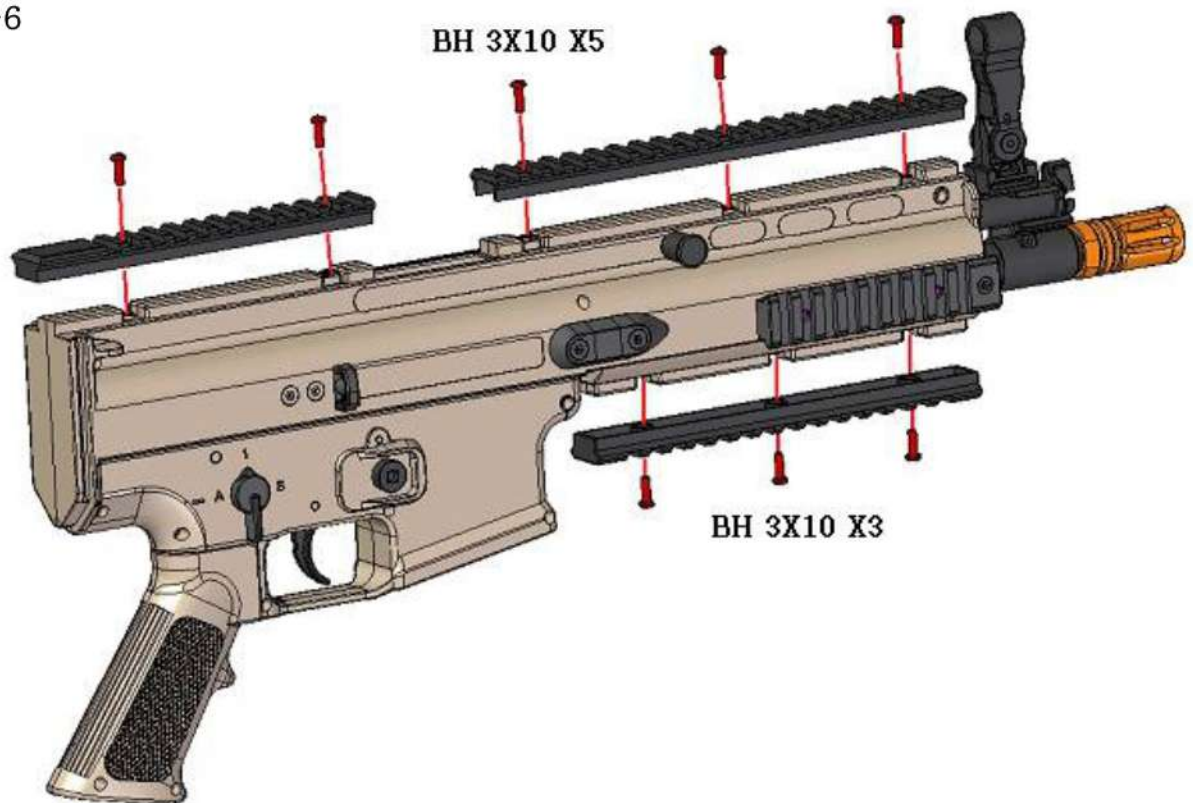
9. Body-4



10. Body-5



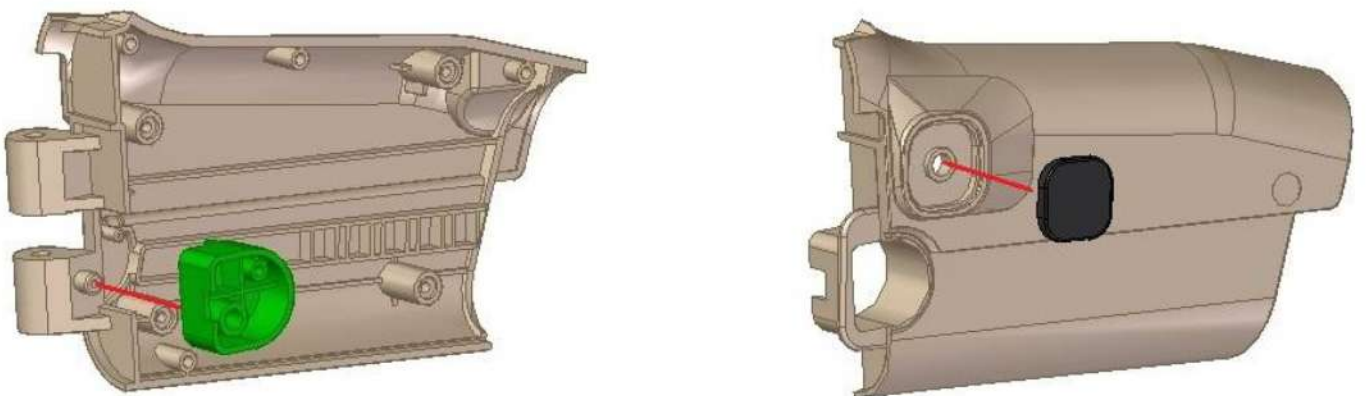
11. Body-6



12. Stock-1

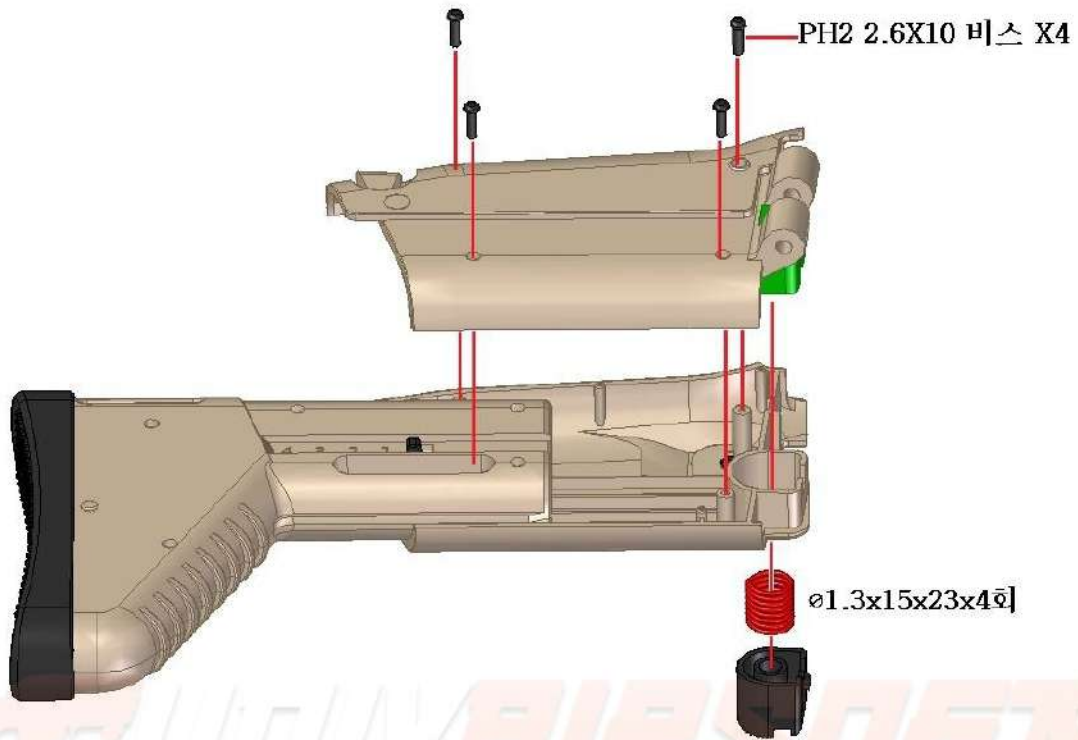


13. Stock-2

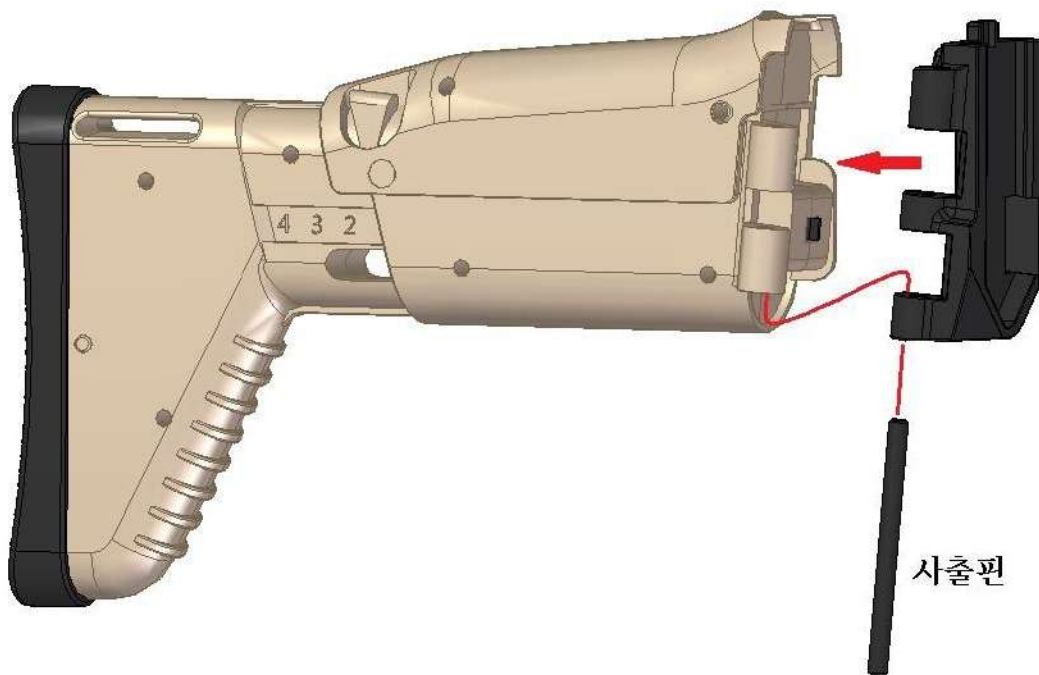


견착대 액세서리 조립.

14. Stock-3



15. Stock-4



16. Stock-5



17. Stock-6



18. Front grip



19. Accessory



20. Completed

