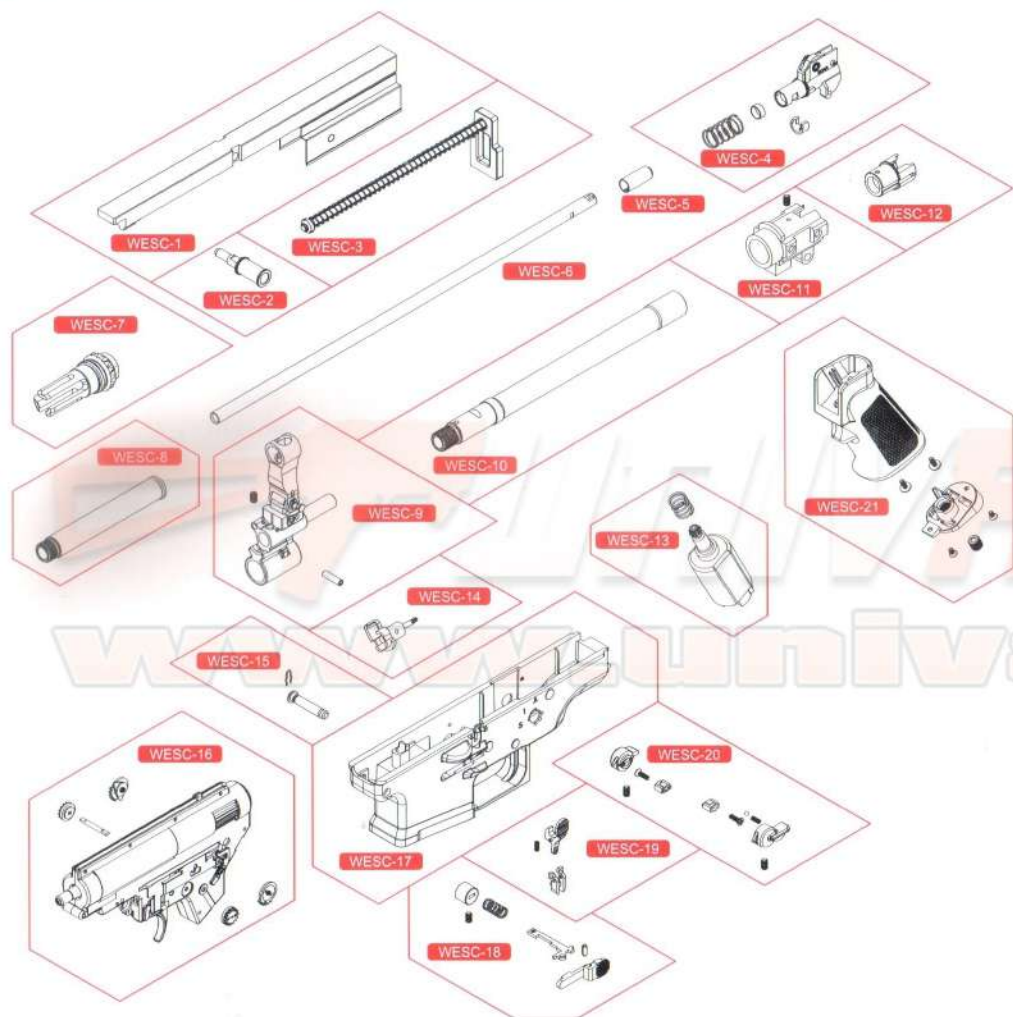


9.1 分解圖、零件表

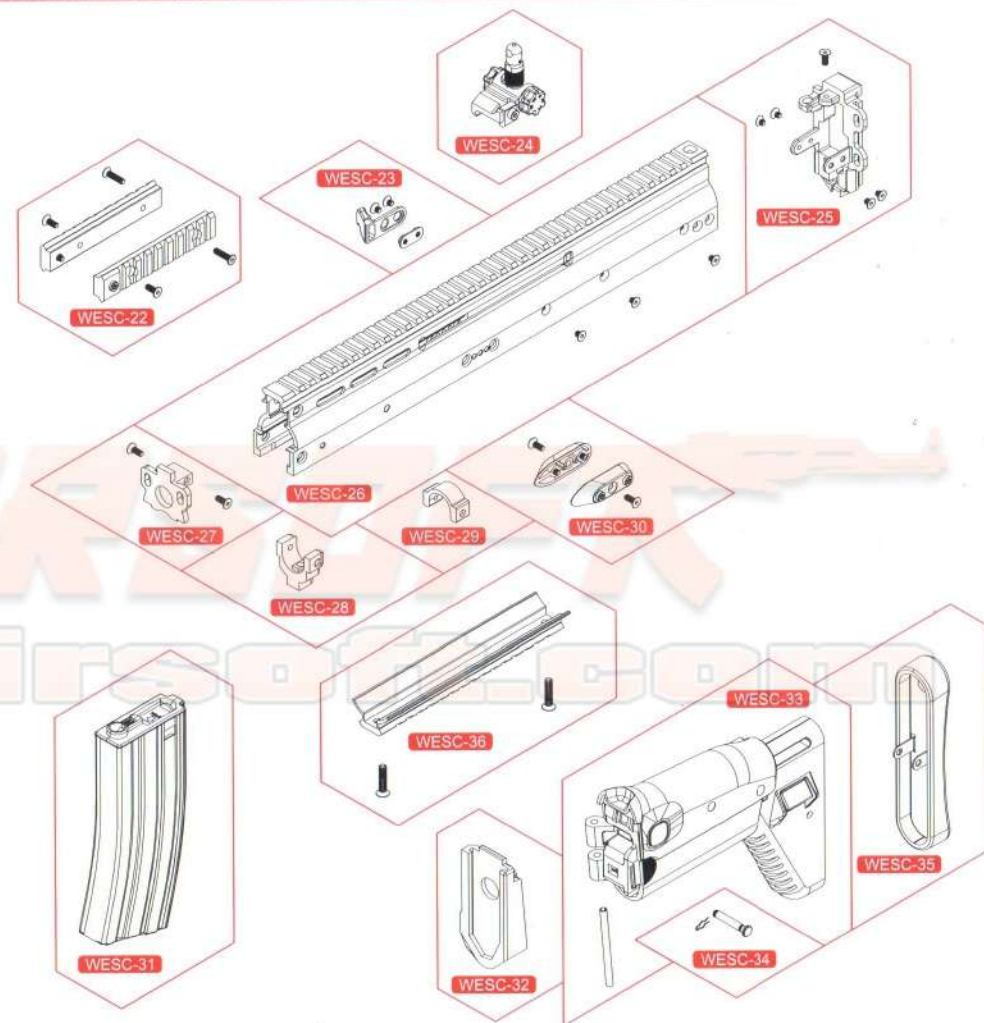
PARTS LIST



NO.	品名 Parts name	NO.	品名 Parts name
WESC-01	SCAR-L槍機飾片組 SCAR-L Dummy Bolt Set	WESC-10	SCAR-L槍管後段 SCAR-L Rear Barrel
WESC-02	SCAR-L槍機拉柄 SCAR-L Cocking Handle	WESC-11	SCAR-L槍管座組 SCAR-L Barrel Extension Set
WESC-03	SCAR-L復進簧組 SCAR-L Recoil Spring Set	WESC-12	SCAR-L槍管室 SCAR-L Barrel Chamber
WESC-04	SCAR-L上旋系統組 SCAR-L Hop-Up Set	WESC-13	馬達組 Motor Set
WESC-05	SCAR-L上旋系統橡皮 SCAR-L Hop-Up Rubber	WESC-14	SCAR-L瓦斯調整器組 SCAR-L Gas Regulator Set
WESC-06	內槍管 Inner Barrel	WESC-15	SCAR-L前插梢組 SCAR-L Front Pivot Pin Set
WESC-07	SCAR-L SD防火帽 SCAR-L SD Flash Hider	WESC-16	SCAR-L齒輪箱組 SCAR-L Gear Box Set
WESC-08	SCAR-L槍管前段 SCAR-L Front Barrel	WESC-17	SCAR-L下槍身組 SCAR-L Lower Receiver Set
WESC-09	SCAR-L準星組 SCAR-L Front Sight Set	WESC-18	SCAR-L彈匣卡榫組 SCAR-L Magazine Catch Set

9.2 分解圖、零件表

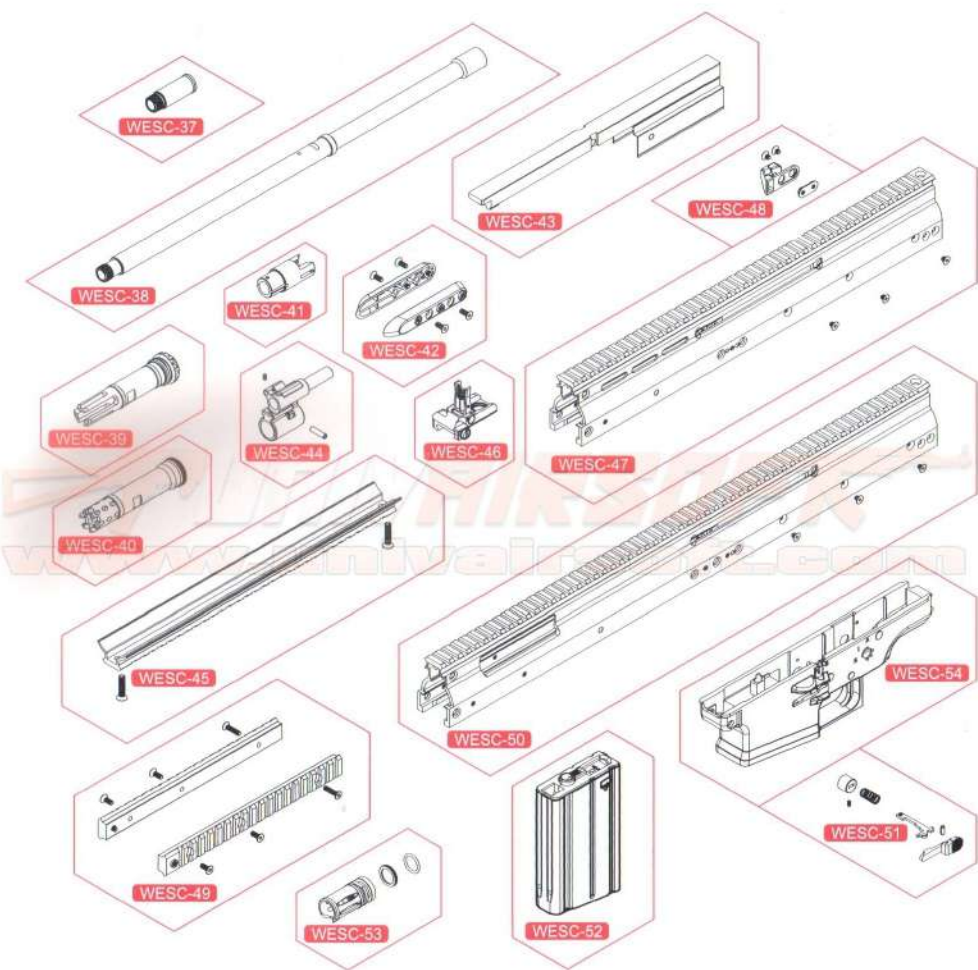
PARTS LIST



NO.	品名 Parts name	NO.	品名 Parts name
WESC-19	SCAR-L槍機卡榫組 Selector Lever Set	WESC-28	SCAR-L槍管支撐座 SCAR-L Lower Barrel Support
WESC-20	SCAR-L射擊選擇鈕組 SCAR-L Selector Lever Set	WESC-29	SCAR-L上槍身座 SCAR-L Upper Receiver Housing
WESC-21	握把組 Pistol Grip Set	WESC-30	SCAR-L槍管螺絲座組 SCAR-L Extension Screws Set
WESC-22	SCAR-L側邊軌道組 SCAR-L Receiver Side Rail Set	WESC-31	300發彈匣 300rd Magazine
WESC-23	SCAR-L槍托卡勾組 SCAR-L Buttstock Lock Set	WESC-32	SCAR-L槍托結合座 SCAR-L Buttstock Base Set
WESC-24	SCAR-L照門組 SCAR-L Rear Sight Set	WESC-33	SCAR-L槍托組 SCAR-L Buttstock Set
WESC-25	SCAR-L上槍身後蓋 SCAR-L Upper Receiver Rear	WESC-34	SCAR-L槍托底板插梢 SCAR-L Buttstock Plate Pin
WESC-26	SCAR-L上槍身組 SCAR-L Upper Receiver Set	WESC-35	SCAR-L槍托底板組 SCAR-L Buttstock Plate Set
WESC-27	SCAR-L前背帶環組 SCAR-L Front Sling Set	WESC-36	SCAR-L下軌道組 SCAR-L Lower Rail Set

9.3 分解圖、零件表

PARTS LIST



NO.	品名 Parts name
WESC-37	SCAR-H CQC槍管前段 SCAR-H CQC Front Barrel
WESC-38	SSR槍管前段 SSR Front Barrel
WESC-39	SCAR-H SD防火帽 SCAR-H SD Flash Hider
WESC-40	SSR防火帽 SSR Flash Hider
WESC-41	SCAR-H槍管室 SCAR-H Barrel Chamber
WESC-42	SSR槍管螺絲座組 SSR Extension Screws Set
WESC-43	SCAR-H槍機飾片組 SCAR-H Dummy Bolt Set
WESC-44	SSR瓦斯缸管組 SSR Gas Cylinder Set
WESC-45	SSR下軌道組 SSR Lower Rail Set

NO.	品名 Parts name
WESC-46	PDW準星組 PDW Front Sight Set
WESC-47	SCAR-H上槍身組 SCAR-H Upper Receiver Set
WESC-48	SCAR-H槍托卡勾組 SCAR-H Buttstock Lock Set
WESC-49	SSR側邊軌道組 SSR Receiver Side Rail Set
WESC-50	SSR上槍身組 SSR Upper Receiver Set
WESC-51	SCAR-H彈匣卡桿組 SCAR-H Magazine Catch Set
WESC-52	SCAR-H彈匣 SCAR-H Magazine
WESC-53	SCAR-L防火帽組 SCAR-L Flash Hider Set
WESC-54	SCAR-H下槍身組 SCAR-H Lower Receiver Set

10. 故障診斷

TROUBLE CLINIC

狀況 SYMPTOM	原因 CAUSE	處理方式 ACTION
無法作動 No operation at all	選擇鈕設定在SAFE的位置 Selector lever set to SAFE.	將選擇鈕切換到半自動或全自動 Set the selector to AUTO or SEMI.
	電池沒電 Battery is dead.	電池充電 Charge the battery.
	電池接頭脫離 Battery connector is disconnect.	接頭確實接牢 Connect the connector.
	馬達標準壽命已到(約5萬發) Expired the motor life. (about 5 million rounds)	更換馬達 Replace the motor.
	保險絲燒毀 Fuse is blown out.	更換保險絲 Replace the fuse.
馬達有動作卻不能擊發 Motor is revolving but gun doesn't work	齒輪或內部零件損壞 Gear or internal components of damage.	請至專賣店維修 Purchase the replacement parts from the dealer.
	彈匣卡彈 Bullets are clogged in the magazine.	請輕拍彈匣並使用高品質BB彈 Shake the magazine and use high quality BB bullets.
	槍膛卡彈 Bullets are clogged in the chamber.	使用通槍條通出BB彈 Using the clearing rod to remove the bullet.
單發不正確 Malfunction of semi auto	齒輪正時未對準 Deviation in gear timing.	切換至連發射擊2-3秒後再切回單發 Firing 2-3 sec in the full auto mode and then return to the semi auto.
	單連發撥桿損壞 Cut off lever damage.	請至專賣店維修 Purchase the replacement parts from the dealer.
連發不正確 Malfunction of full auto	齒輪正時未對準 Deviation in gear timing.	切換至單發射擊2-3發後再切回連發 Firing 2-3 shots in the semi auto mode and then return to the full auto.
	單連發撥桿損壞 Cut off lever damage.	請至專賣店維修 Purchase the replacement parts from the dealer.
連發速度變慢 Firing circle slow	電池即將沒電 Deviation in gear timing.	電池充電 Charge the battery.
BB彈飛行距離變短或未擊發時由槍口掉落 Shooting distance becomes shorter or not fired when falls by the muzzle.	上旋系統未調整 Hop-Up system unadjusted.	調整上旋系統 Adjusted the hop-up.
	BB彈不良 Faulty BB bullets.	請使用高品質BB彈(勿使用回收彈) Please use high quality BB bullets. (Do not use the recycling bullets)
作動聲音異常 Overly loud operating noise.	活塞O環磨損 The piston o-ring worn off.	請至專賣店維修 Purchase the replacement parts from the dealer.
	齒輪或內部零件損壞 Gear or internal components of damage.	請至專賣店維修 Purchase the replacement parts from the dealer.