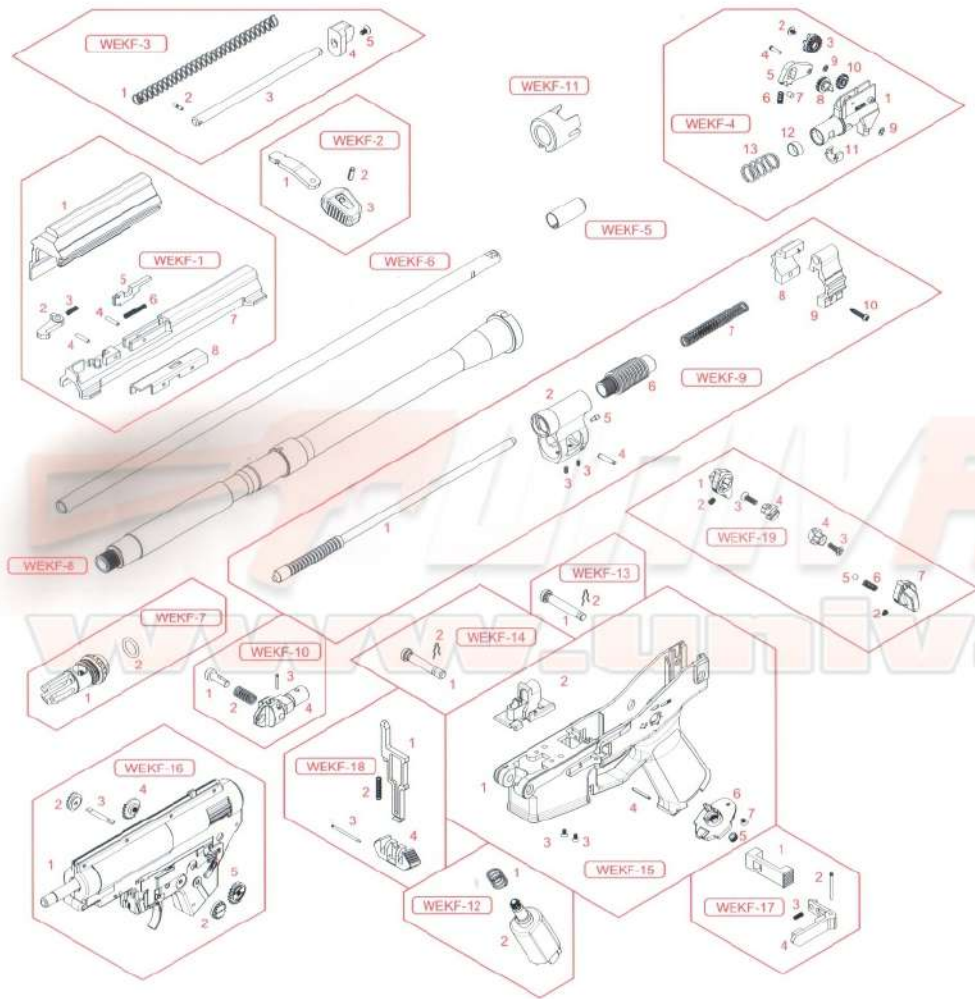


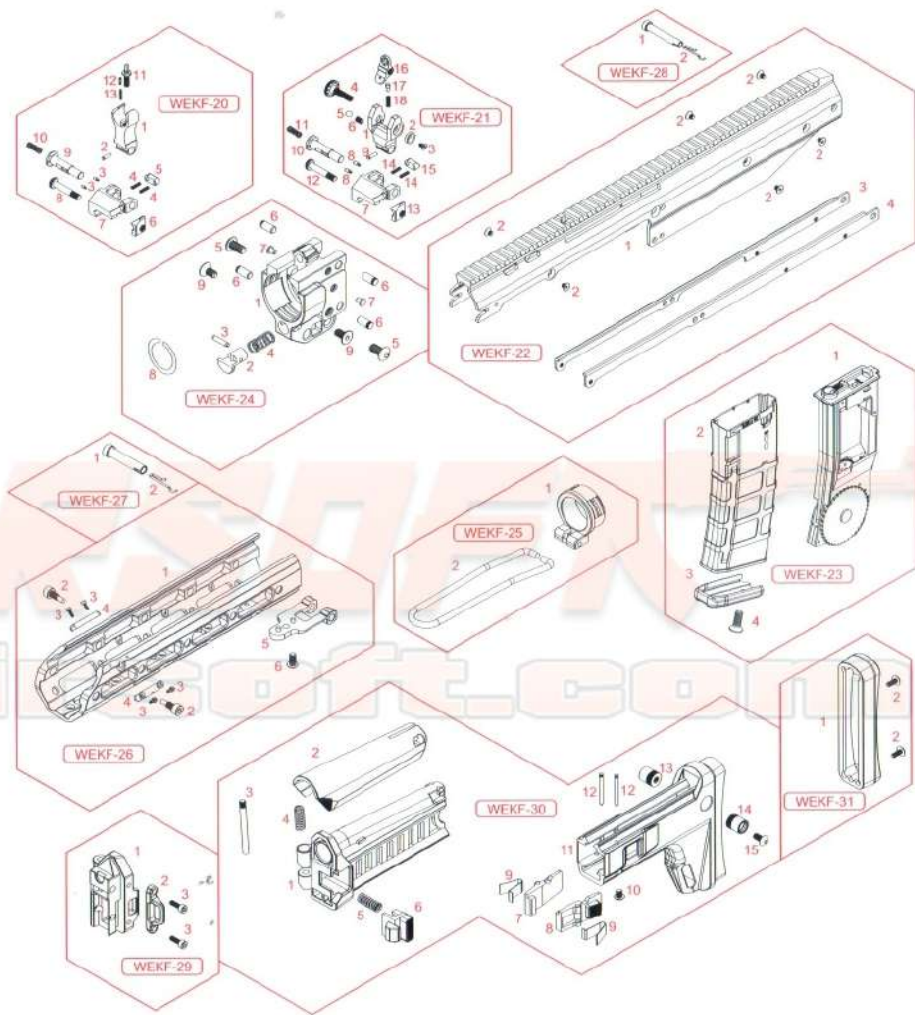
9. 分解圖、零件表

PARTS LIST



NO.	品名 Parts name
WEKF-1	槍機飾片組 Dummy Bolt Set
WEKF-2	槍機拉柄 Cocking Handle
WEKF-3	復進簧組 Recoil Spring Set
WEKF-4	上旋系統組 Hop-Up Set
WEKF-5	上旋系統橡皮 Hop-Up Rubber
WEKF-6	內槍管 Inner Barrel
WEKF-7	防火帽 Flash Hider
WEKF-8	槍管 Barrel

NO.	品名 Parts name
WEKF-9	瓦斯缸管組 Gas Block Set
WEKF-10	瓦斯調整器組 Gas Regulator Set
WEKF-11	槍管室 Barrel Chamber
WEKF-12	馬達組 Motor Set
WEKF-13	下槍身後插梢組 Lower Receiver Rear Pin Set
WEKF-14	下槍身前插梢組 Lower Receiver Front Pivot Pin Set
WEKF-15	下槍身組 Lower Receiver Set
WEKF-16	齒輪箱組 Gear Box Set

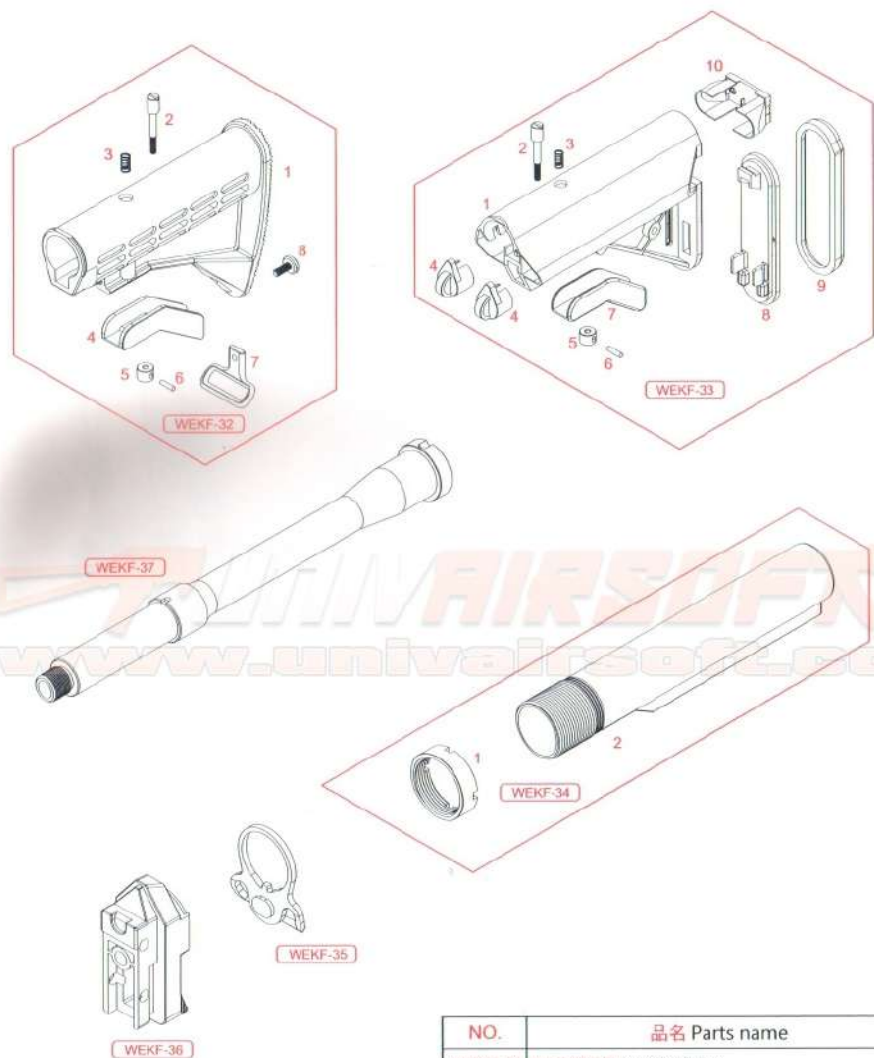


NO.	品名 Parts name
WEKF-17	彈匣卡榫組 Magazine Catch Set
WEKF-18	槍機卡榫組 Bolt Catch Set
WEKF-19	射擊選擇鈕組 Selector Lever Set
WEKF-20	準星組 Front Sight Set
WEKF-21	照門組 Rear Sight Set
WEKF-22	上槍身組 Upper Receiver Set
WEKF-23	300發彈匣 300Rds Magazine
WEKF-24	槍管座組 Barrel Extension Set

NO.	品名 Parts name
WEKF-25	扳手組 Spanner Set
WEKF-26	護木組 Handguard Set
WEKF-27	護木插梢組 Handguard Pivot Pin Set
WEKF-28	上槍身後插梢組 Upper Receiver Rear Pin Set
WEKF-29	槍托結合座 Buttstock Base Set
WEKF-30	槍托組 Buttstock Set
WEKF-31	槍托底板組 Buttstock Plate Set

9. 分解圖、零件表

PARTS LIST



NO.	品名 Parts name
WEKF-32	M4伸縮托組 M4 Stock Set
WEKF-33	海軍伸縮托組 Crane stock Set
WEKF-34	伸縮托桿組 Stock Tube Set
WEKF-35	背帶環 Stock Ring Sling Swivel
WEKF-36	槍托結合座 Buttstock Base Set
WEKF-37	10吋槍管 10 Inch Barrel

10. 故障診斷

TROUBLE CLINIC

狀況 SYMPTOM	原因 CAUSE	處理方式 ACTION
無法作動 No operation at all	選擇鈕設定在SAFE的位置 Selector lever set to SAFE.	將選擇鈕切換到半自動或全自動 Set the selector to AUTO or SEMI.
	電池沒電 Battery is dead.	電池充電 Charge the battery.
	電池接頭脫離 Battery connector is disconnect.	接頭確實接牢 Connect the connector.
	馬達標準壽命已到(約5萬發) Expired the motor life. (about 5 million rounds)	更換馬達 Replace the motor.
	保險絲燒毀 Fuse is blown out.	更換保險絲 Replace the fuse.
馬達有動作卻不能擊發 Motor is revolving but gun doesn't work	齒輪或內部零件損壞 Gear or internal components of damage.	請至專賣店維修 Purchase the replacement parts from the dealer.
	彈匣卡彈 Bullets are clogged in the magazine.	請輕拍彈匣並使用高品質BB彈 Shake the magazine and use high quality BB bullets.
	槍膛卡彈 Bullets are clogged in the chamber.	使用通槍條通出BB彈 Using the cleaning rod to remove the bullet.
單發不正確 Malfunction of semi auto	齒輪正時未對準 Deviation in gear timing.	切換至連發射擊2-3秒後再切回單發 Firing 2 ~ 3 sec in the full auto mode and then return to the semi auto.
	單連發撥桿損壞 Cut off lever damage.	請至專賣店維修 Purchase the replacement parts from the dealer.
連發不正確 Malfunction of full auto	齒輪正時未對準 Deviation in gear timing.	切換至單發射擊2-3發後再切回連發 Firing 2 ~ 3 shots in the semi auto mode and then return to the full auto.
	單連發撥桿損壞 Cut off lever damage.	請至專賣店維修 Purchase the replacement parts from the dealer.
連發速度變慢 Firing circle slow	電池即將沒電 Deviation in gear timing.	電池充電 Charge the battery.
BB彈飛行距離變短或未擊發時由槍口掉落 Shooting distance becomes shorter or not fired when falls by the muzzle.	上旋系統未調整 Hop-up system unadjusted.	調整上旋系統 Adjusted the hop-up.
	BB彈不良 Faulty BB bullets.	請使用高品質BB彈(勿使用回收彈) Please use high quality BB bullets. (Do not use the recycling bullets)
	活塞O環磨損 The piston o-ring worn off.	請至專賣店維修 Purchase the replacement parts from the dealer.
作動聲音異常 Overly loud operating noise.	齒輪或內部零件損壞 Gear or internal components of damage.	請至專賣店維修 Purchase the replacement parts from the dealer.